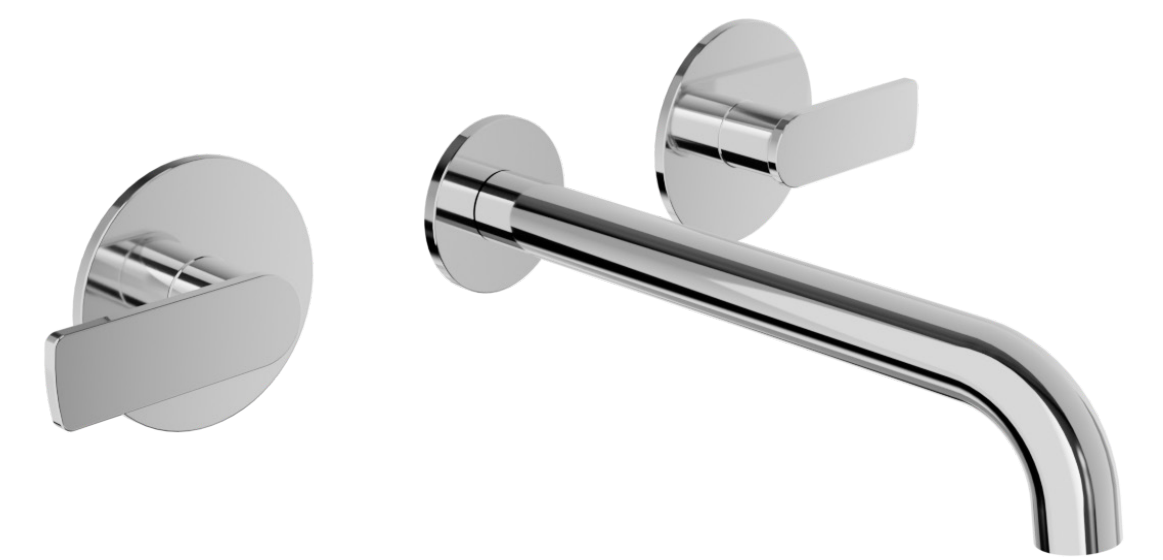
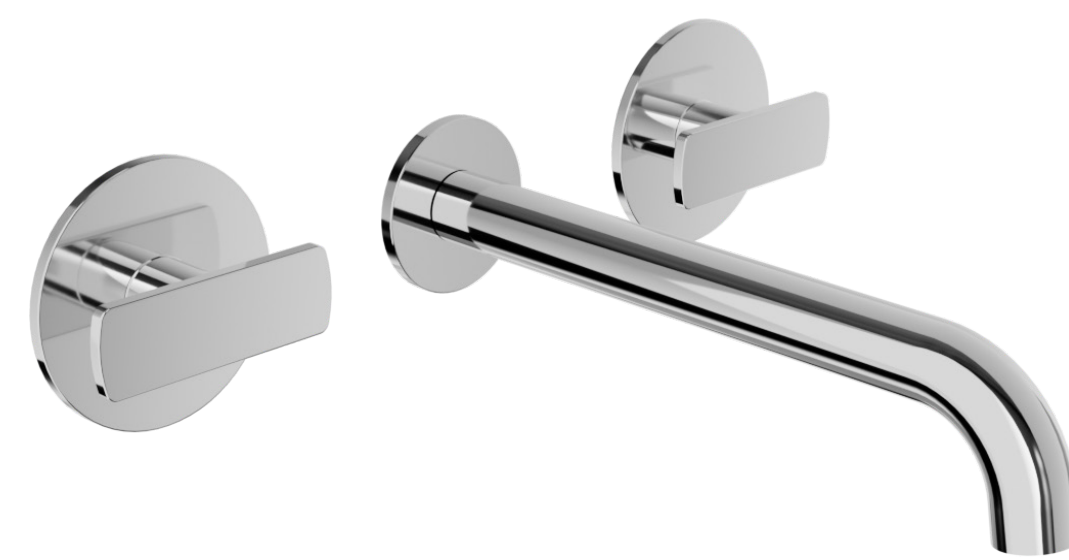
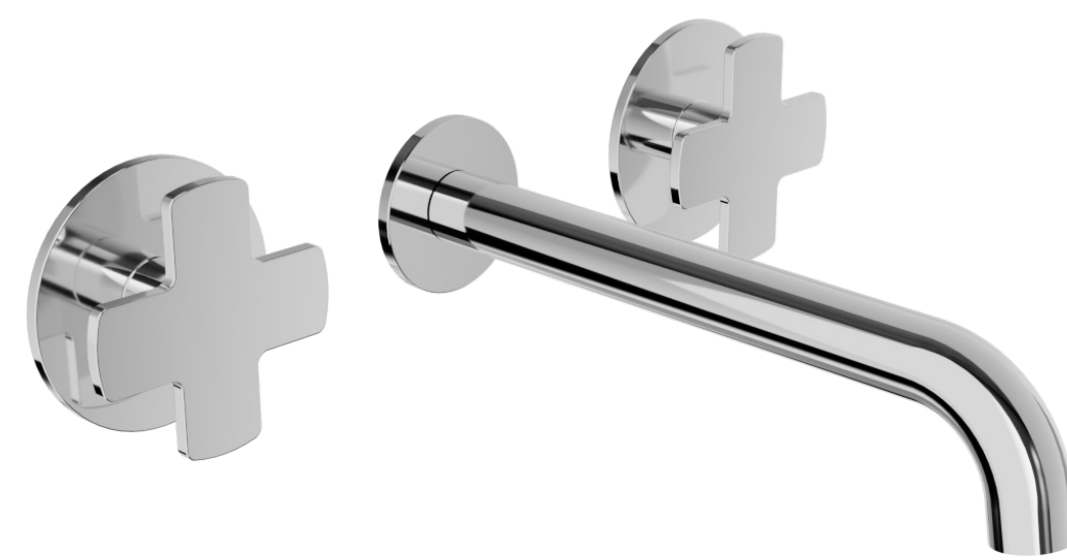
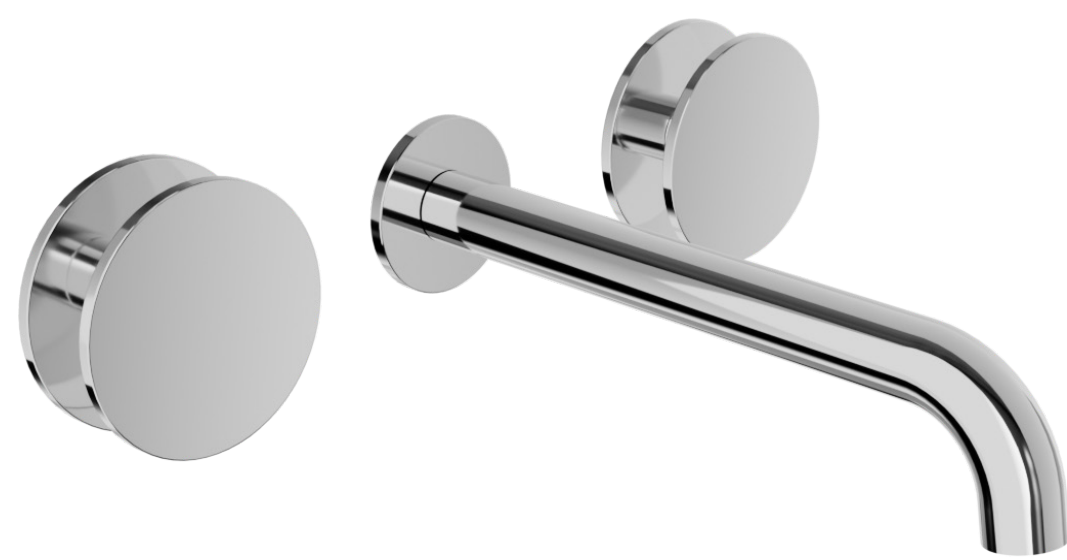


B80 AIR

BARIL

STYLE X FUNCTION

AIR offers a variety of shapes and plenty of finishes to choose from to create your very own faucet. Inspired by the principle of simplicity, this collection features simple geometric shapes, sleek lines and slim edges, giving it an airy effect that blends into any bathroom style. Have fun trying out different combinations to find the one that's right for you!



B80 AIR

B80-8102-00L-xx (one handle) or B80-8042-00L-xx (two handles)

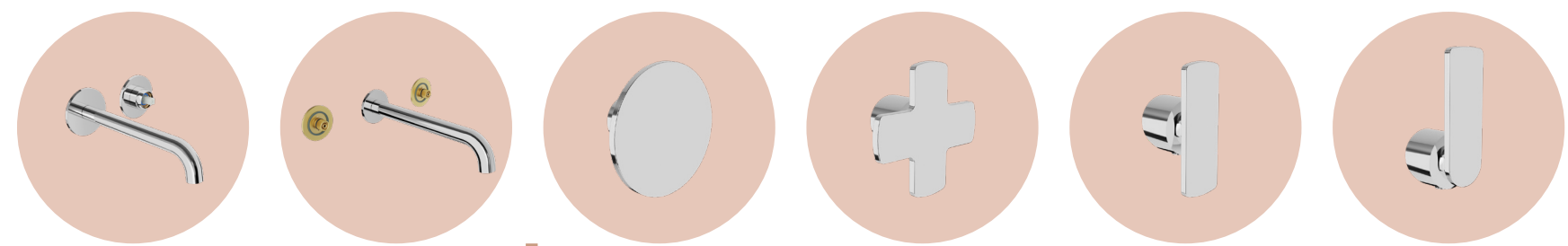
Drain not included

BARIL

STYLE X FUNCTION

Customizable

Four handle options and two faucet options.



Plain or Two-tone Finish

Possibility to combine finishes and create a two-tone finish or go for a plain finish.

Stylized, Sleek Design

Each option features a slim silhouette and simple geometric shapes, for an uncluttered countertop.

European Cartridge

High-performance ceramic cartridge with outstanding durability.

Easy Installation System

Snap-on handles and slip-on spout.

Two Aerator Options

High-end laminator for crystal clear and splash-free stream or swivel aerator.

High-Quality Materials

BARIL faucets are strong and durable, being made of thicker than average solid brass.



Chrome (CC)



Matte black (KK)



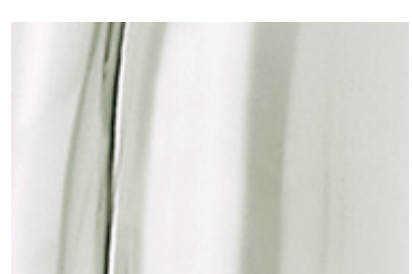
Satin brass (LL)



White (BB)



Brushed nickel (NN)



Polished Nickel (YY)



Satin copper (VV)



Venetian bronze (TT)



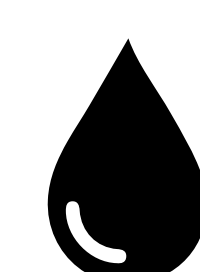
Gold (GG)

LIMITED
LIFETIME
WARRANTY

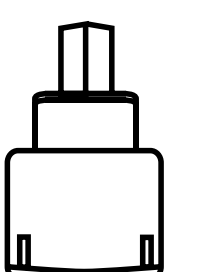
BARIL
equals
quality

1.2
GPM FLOW RATE

Uses
30% less
water



Eco-friendly
options
available



Durable
ceramic
cartridge

AIR Shapes

BARIL

STYLE X FUNCTION

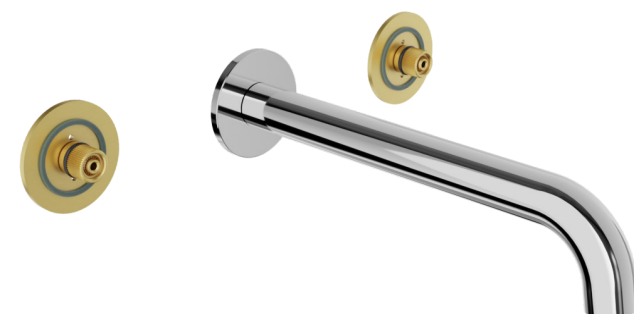
For its AIR Collection, BARIL offers a variety of components in different geometric shapes. Customize your faucet by choosing the number and the shape of the handles independently. Have fun combining the four handle options and two trim options (1 or 2 handles) to create your very own faucet.

How to customize your AIR faucet?

1 Choose the number of handles:



Single lever
(B80-8102-00L-xx)



Two handles
(B80-8042-00L-xx)

2 Choose the shape of the handle(s):



Circular
(M80-8100-10-xx) 1 handle
(M80-8000-110-xx) 2 handles



Cross
(M80-8100-20-xx) 1 handle
(M80-8000-220-xx) 2 handles



Symmetrical lever
(M80-8100-30-xx) 1 handle
(M80-8000-330-xx) 2 handles



Asymmetrical lever
(M80-8100-40-xx) 1 handle
(M80-8000-440-xx) 2 handles

Future-proof

This design as a platform allows you to make your faucets evolve with future trends and personal tastes. Change the shape of the handles or even the finishes, without touching the underlying plumbing hardware.

AIR Finishes

BARIL

STYLE X FUNCTION

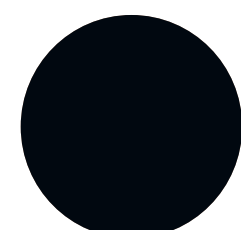
For its AIR Collection, BARIL offers a palette composed of its 9 regular BARIL finishes, but that's not all! Have fun combining the different plain finishes to create your own two-tone finish or opt for a plain finish - the possibilities are endless!

How to choose your AIR finish?

1 Choose the desired finish for the spout (plain only)



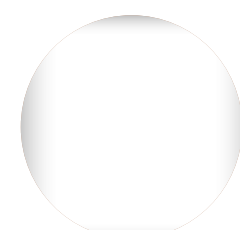
Chrome
(CC)



Matte
black (KK)



Satin
brass (LL)



White
(BB)



Brushed
nickel (NN)



Polished
Nickel (YY)



Satin
copper (VV)



Venetian
bronze (TT)



Gold
(GG)

2 Choose the handle(s) finish (plain or two-tone)



Plain



Two-tone

Handle top

Opt for a color accent or choose the same finish as the handle base for a plain finish.

Handle base

We recommend that the handle(s) base finish be the same as the faucet spout, but feel free to combine finishes as you wish.

Laminar or Adjustable Aerator

BARIL

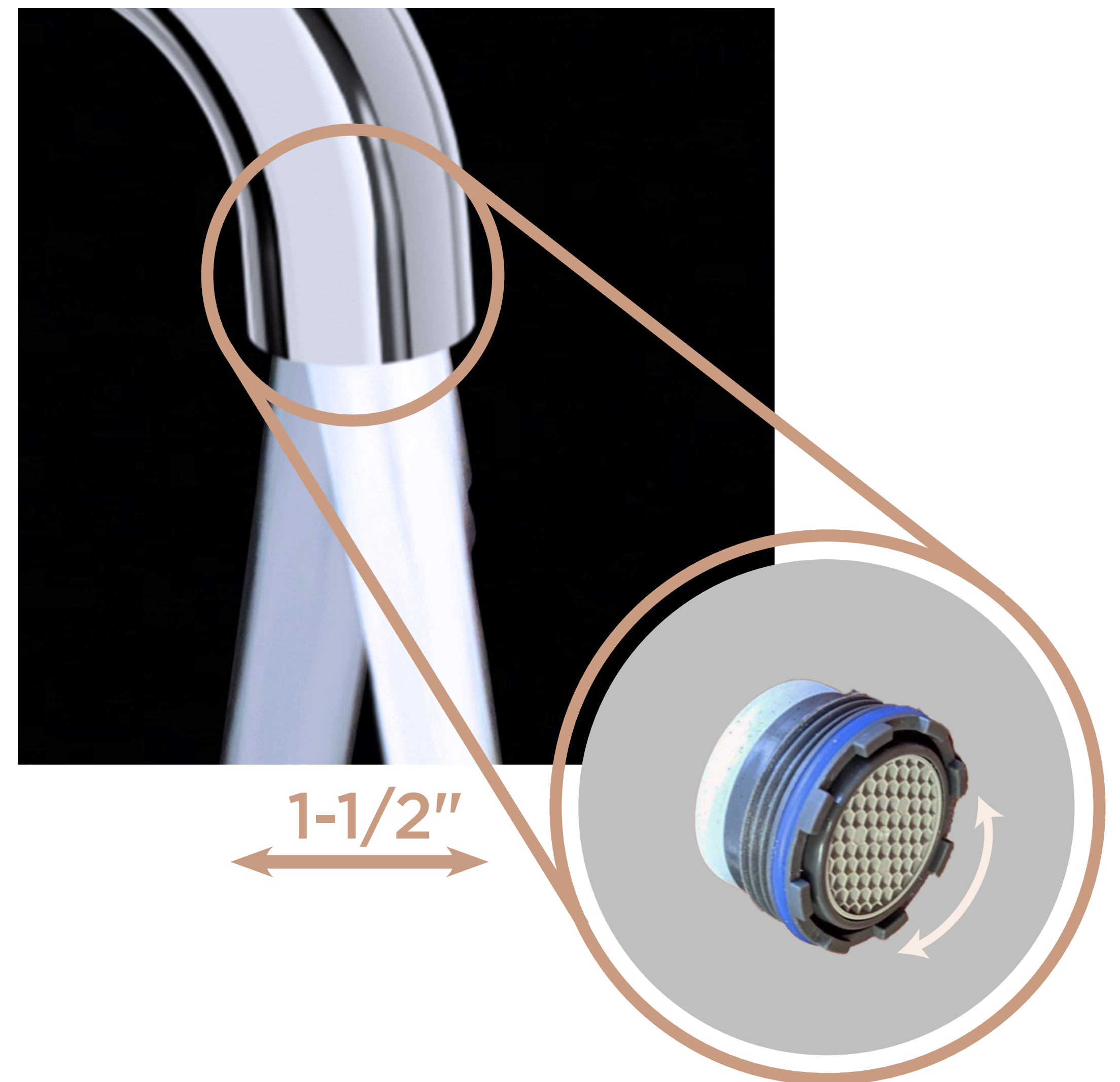
STYLE X FUNCTION

Faucets in the AIR Collection come with two aerators. Choose between our high-end laminator for a crystal-clear stream, or our swivel aerator to direct the stream where you want it. What's more, our aerators are easy to clean: simply rub the aerator with your fingertips to clean it and continue enjoying your splash-free stream.

Laminar Aerator

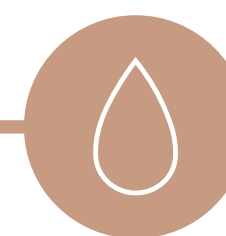


Adjustable Aerator



Ecological

With the environment in mind, AIR faucets come with our reduced flow rate of 1.2 gpm (4.5 l/min) - 60 psi. This flow rate still provides good pressure while reducing your water consumption.



Easy to Install and Maintain

B80-8102-00L-xx (one handle)

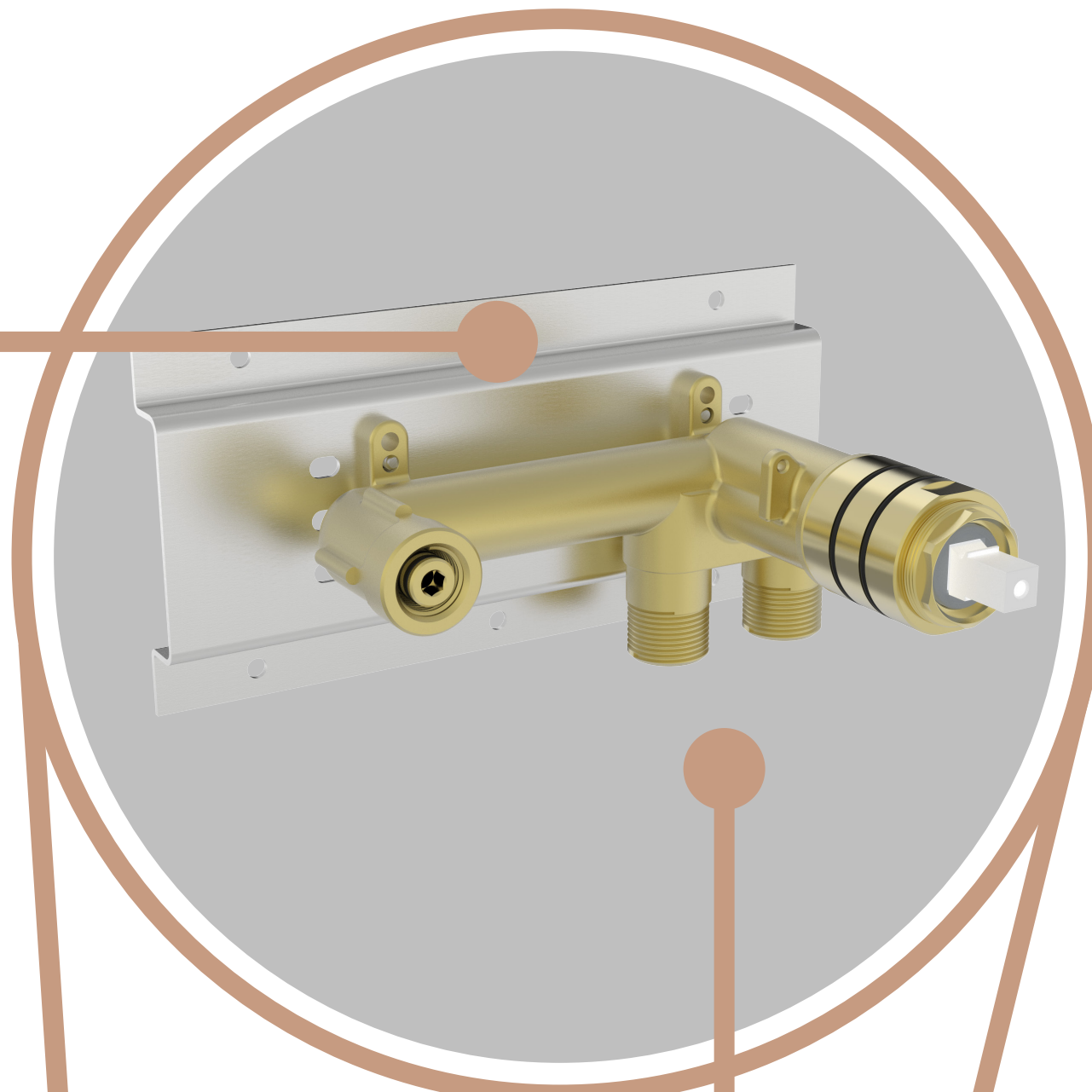
Trouble free installation thanks to a one-piece rough mounted on a steel plate: easy to fix and to level, no risk of misalignment of spout and handle.

BARIL

STYLE X FUNCTION

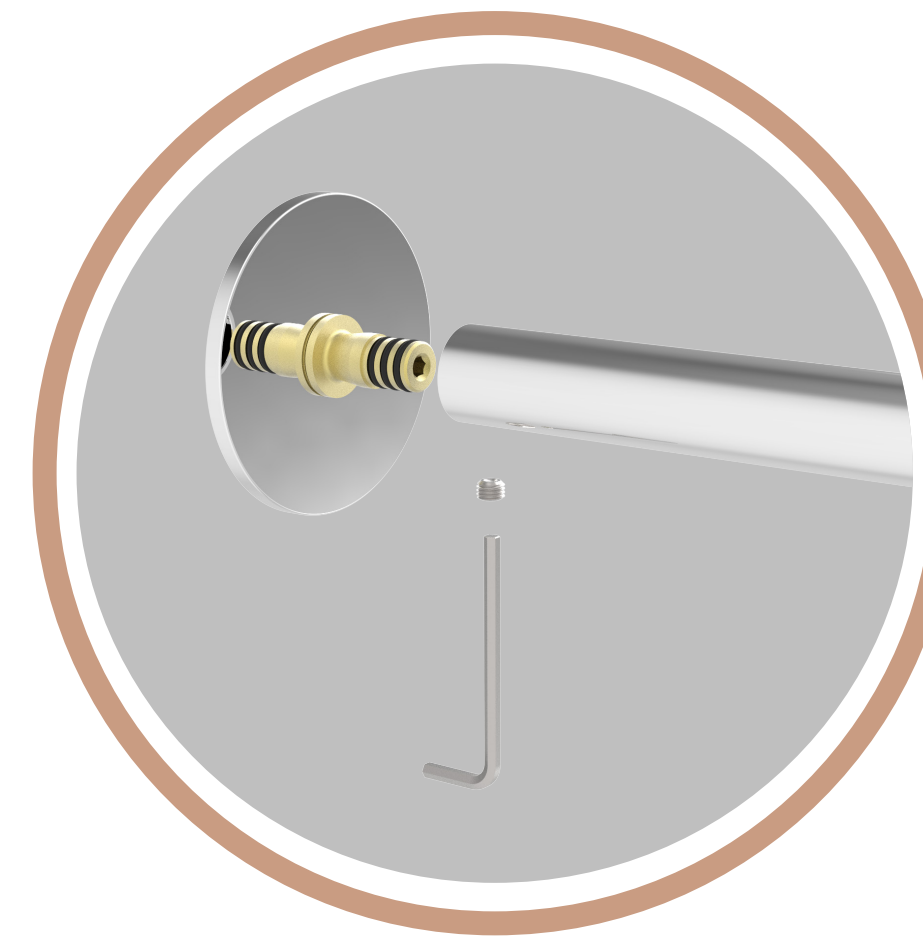
Adjustable depth from your finished wall

1" range of depth adjustment

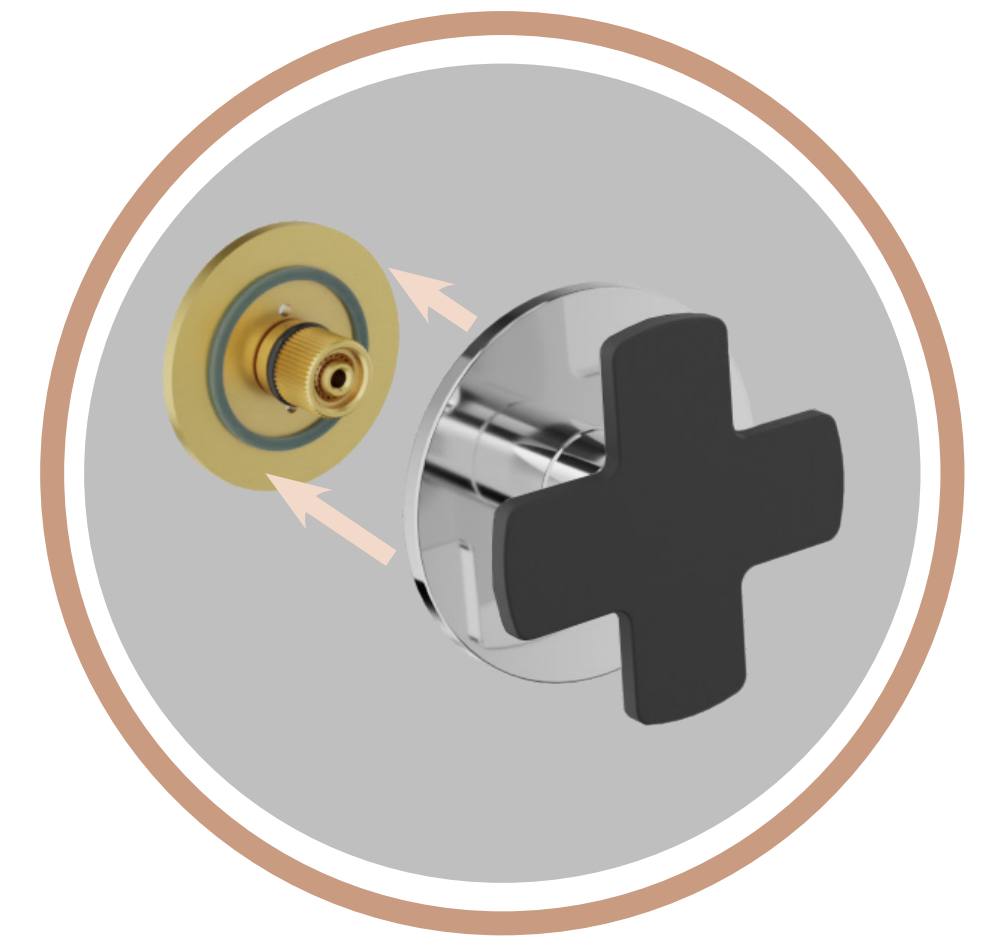


Separate downward-pointing hot and cold connections

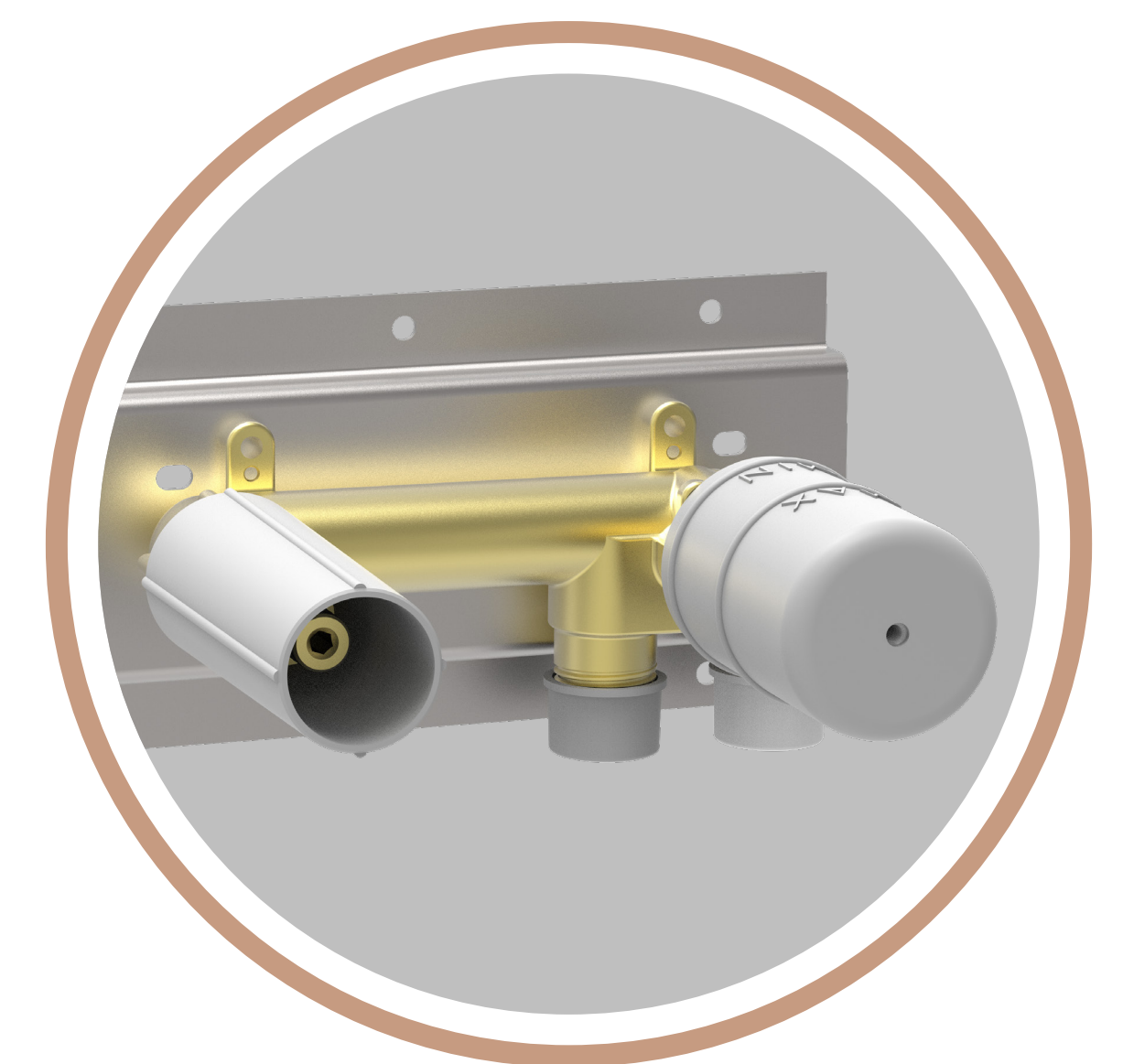
This construction makes it very easy to connect your waterways



Slip-on spout



Snap-on handles



Plastic protectors

Provide help for the rough installation (drilling template, indication of depth versus finished wall), and protect the rough during finishing steps.

Easy to Install and Maintain

B80-8042-00L-xx (2 handles)

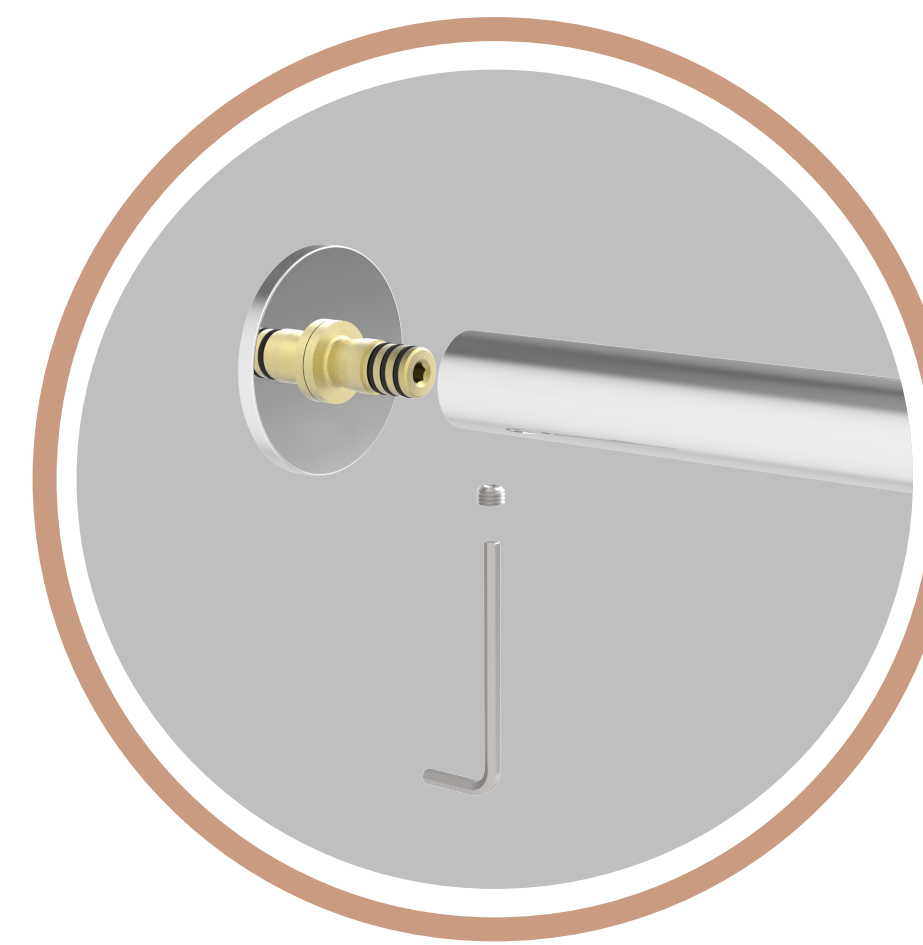
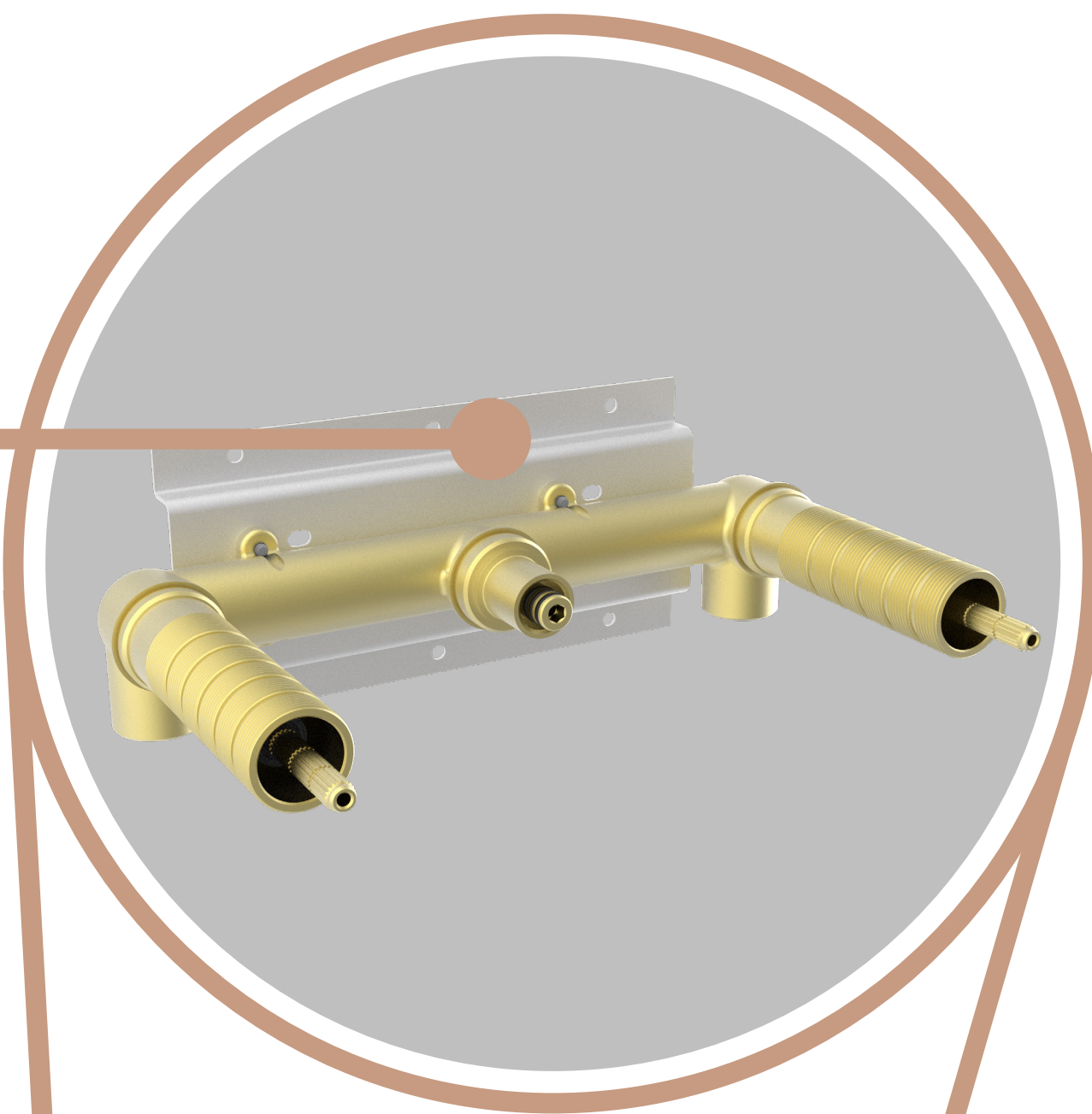
Installation is both simple and solid, thanks in part to snap-on handles and slip-on spouts. Once the faucet is installed, the cartridge is easily accessible, using a standard 19/32" socket wrench.

BARIL

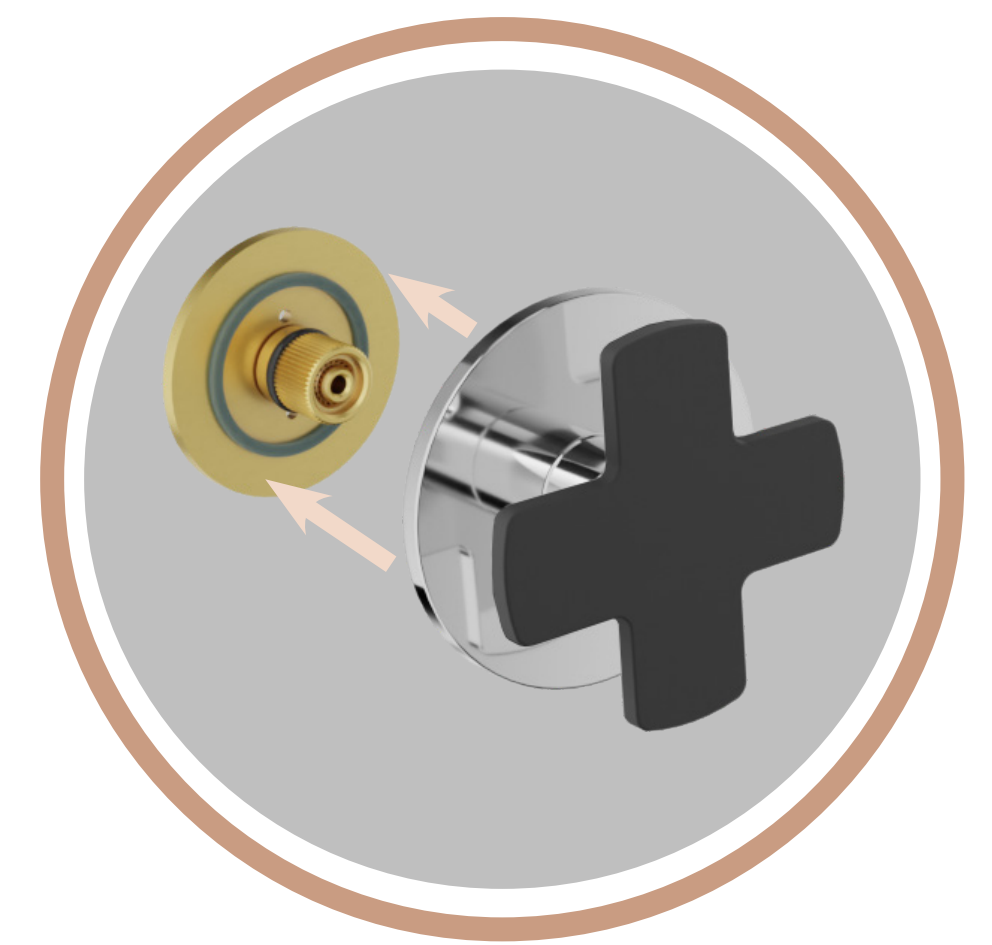
STYLE X FUNCTION

Adjustable depth from your finished wall

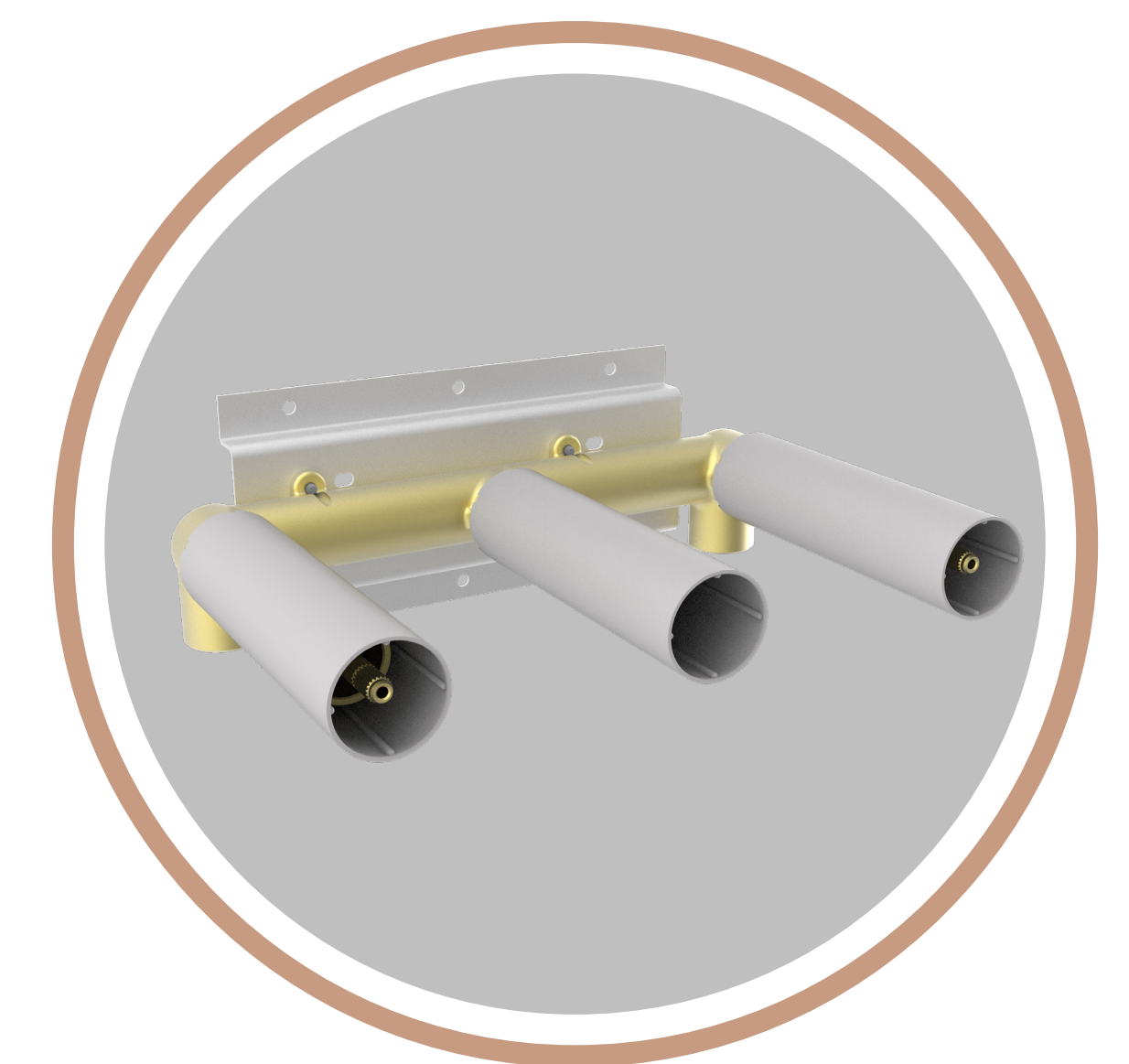
1" range of depth adjustment



Slip-on spout



Snap-on handles



Plastic protectors

Provide help for the rough installation (drilling template, indication of depth versus finished wall), and protect the rough during finishing steps.