

B66 ZIP —

BARiL

STYLE × FUNCTION

The ZIP Collection, launched in 2004, is the ultimate timeless faucet collection. With its sleek design and rounded shapes, this faucet gives a firmly modern look that brings a sophisticated ambiance to your bathroom. Its slender tubular line comes into resonance with the decor which suits you the most, always with elegance... Try it in matte black finish for a chic and trendy result!



B66 ZIP

B66-1600-00-xx

Wall-mounted tub faucet

BARiL

STYLE × FUNCTION

Easy installation

One-piece rough for a very easy and sturdy installation

High quality material

BARiL faucets last longer because they are forged of solid brass thicker than average

Flawless finish

Multiple finishes available to give a personal touch to your faucet. Made with best technologies available

European cartridge

Made with high performance ceramic, this cartridge is amongst the most durable on the market

Refined design

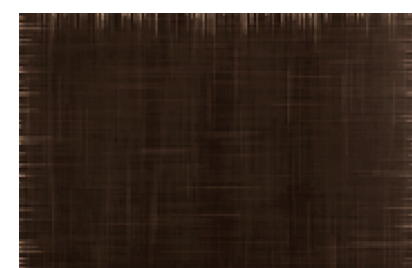
Timeless slender tubular lines with very good ergonomics. Sleek design in your bath: no unsightly handshower and hose

Flow rate:
5.3 gpm (20 l/min) - 60 psi

Filling of the bathtub in less than 7 min 30 (150 l)



Chrome (CC)



Venetian Bronze (TT)



Matte Black (KK)



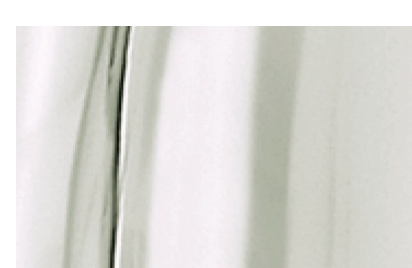
Satin Brass (LL)



Brushed Nickel (NN)



Satin Copper (VV)

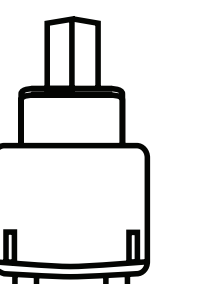


Polished Nickel (YY)



Gold (GG)

LIMITED
LIFETIME
WARRANTY



BARiL
equals
quality

Durable
ceramic
cartridge

Good flow rate —

This faucet will fill your tub in less than 7 minutes 30 seconds for 150 l.

BARiL

STYLE × FUNCTION



Bath spout laminator

Our bath spouts are equipped with a laminator that allows a steady and splash-free stream.

Attention to Detail

BARiL faucets are designed with both style and function in mind. The perfect angle of the handle stick as well as the possible adjustment of the spout length are only two examples of our dual design thinking.

BARiL

STYLE × FUNCTION

Dimensions:

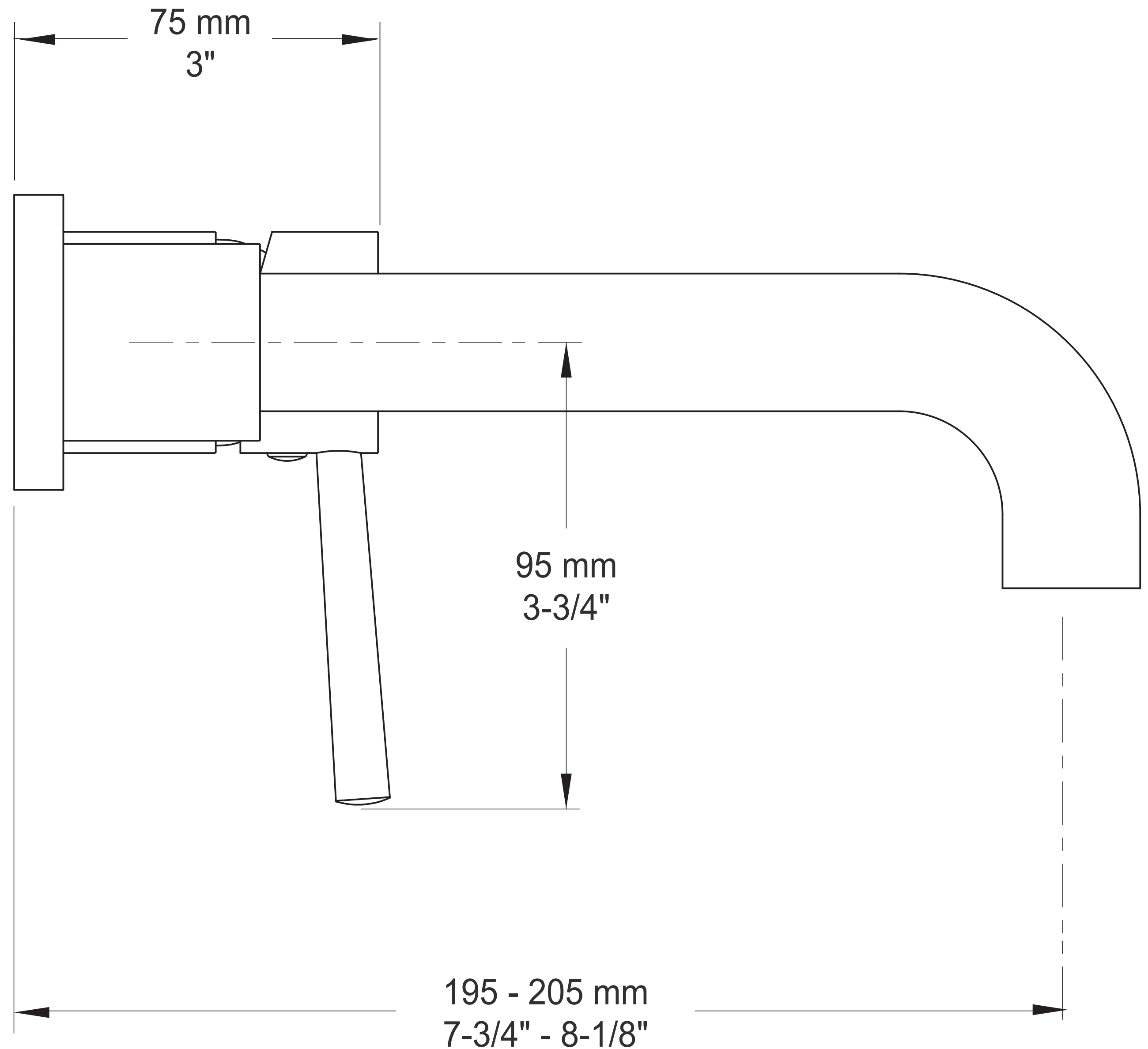
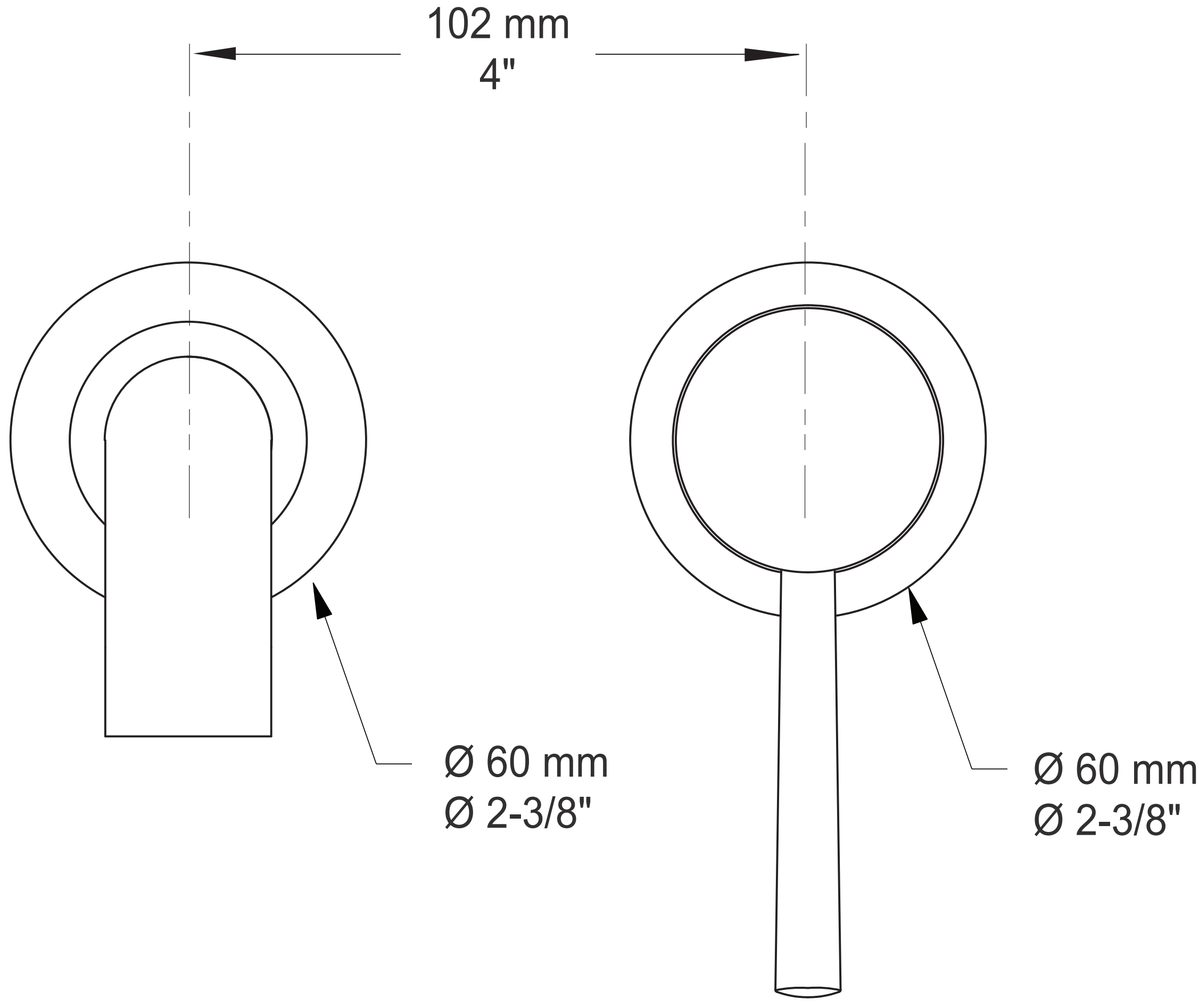
Model: B66-1600-00-xx

Flange diameter: 2-3/8"

Center to center: 4"

Height: 3-3/4"

Spout reach: 7-3/4" to 8-1/8"



Easy installation

Trouble free installation thanks to a one-piece rough mounted on a steel plate: easy to fix and to level, no risk of misalignment of spout and handle.

BARiL

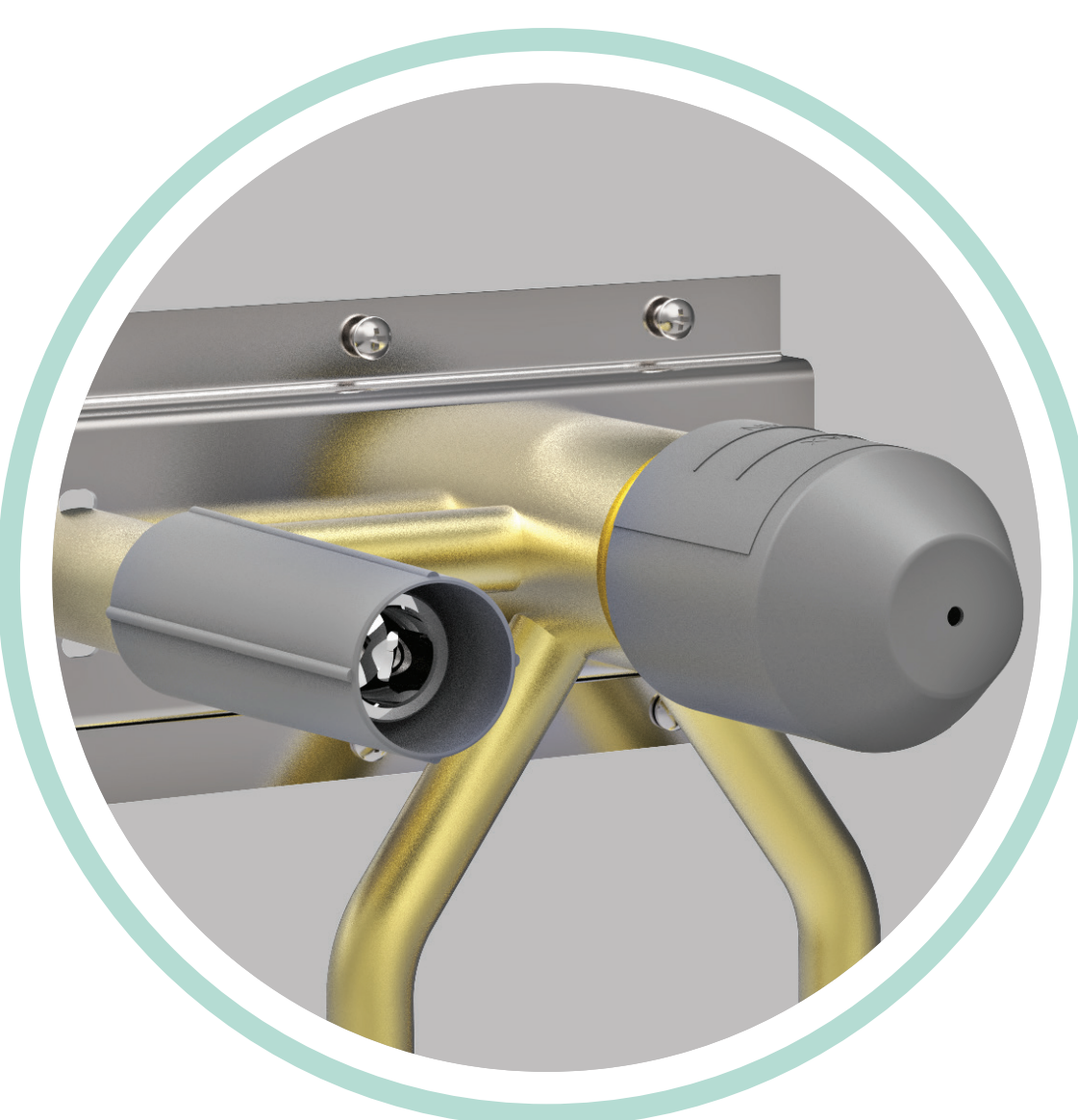
STYLE × FUNCTION

Adjustable depth from your finished wall

1/2" range of depth adjustment

Separate hot & cold connections

This construction makes it very easy to connect your waterways



Plastic protectors

Provide help for the rough installation (drilling template, indication of depth versus finished wall), and protect the rough during finishing steps

