

# B56 ACCENT —

# BARiL

STYLE × FUNCTION

The ACCENT Collection grew out of a series of sketches exploring two major themes: MATERIALS and COLORS. These characteristics are reflected in the shape of the faucet's body, especially in the elegance of its assembly and the graceful lever. The juxtaposition of the upper section's bold contours is designed to reinforce the themes and to evolve in keeping with a range of consumer trends and expectations.



# B56 ACCENT

B56-1010-1PL-xx

Single hole lavatory faucet,  
drain included

# BARiL

STYLE × FUNCTION

## Flawless finish

Technologically advanced electrostatic powder coating ensures an outstanding finish uniformity

## Refined design

Beautiful alignment of the handle; the juxtaposition of the upper section allows to play with colors and textures

## European cartridge

Made with high performance ceramic, this cartridge is amongst the most durable on the market

## Adjustable aerator

Allows adjustments in the water stream's direction by the touch of a finger

## Streamlined look

BARiL uses push-button drains, therefore eliminating the need for an unsightly rod

## Easy installation

Very sturdy installation using 2 threaded rods with a special tightening tool included in the box

## High quality material

BARiL faucets last longer because they are forged of solid brass thicker than average



Smokey  
Chrome (CF)



Chrome  
White (CB)



Chrome (CC)

LIMITED  
**LIFETIME**  
WARRANTY

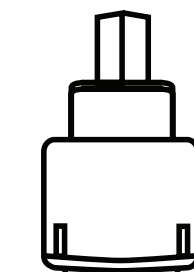
BARiL  
equals  
quality

**1.5**  
GPM FLOW RATE

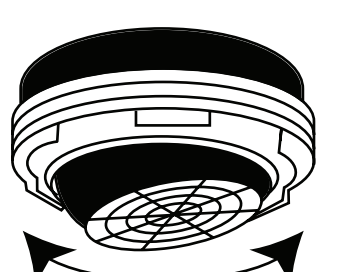
Uses  
30% less  
water



Ecological  
options  
available



Durable  
ceramic  
cartridge



Ensures  
the perfect  
stream

# Adjustable Aerator

# BARiL

STYLE × FUNCTION

Our easy-to-clean German-made swivel aerator lets you direct the flow where you want it. Simply rub this soft silicon aerator with your finger to clean it, and continue to enjoy its perfect crystal-clear stream. No more splashing!



## Ecological Options

BARiL is supporting the environment by offering options to reduce the water flow thereby economising your water usage

<b>B56-1010-1PL-xx</b>	<b>B56-1010-1PL-xx-120</b>	<b>B56-1010-1PL-xx-100</b>	<b>B56-1010-1PL-xx-050</b>
- 5,7 l/min - 60 psi - 1.5 gpm - 60 psi	- 4,5 l/min - 60 psi - 1.2 gpm - 60 psi	- 3,7 l/min - 60 psi - 1.0 gpm - 60 psi	- 1,9 l/min - 60 psi - 0.5 gpm - 60 psi

# Attention to Detail

BARiL faucets are designed with both style and function in mind. The perfect alignment of moving parts like the handle versus the body, is only one example of our dual design thinking.

# BARiL

STYLE × FUNCTION

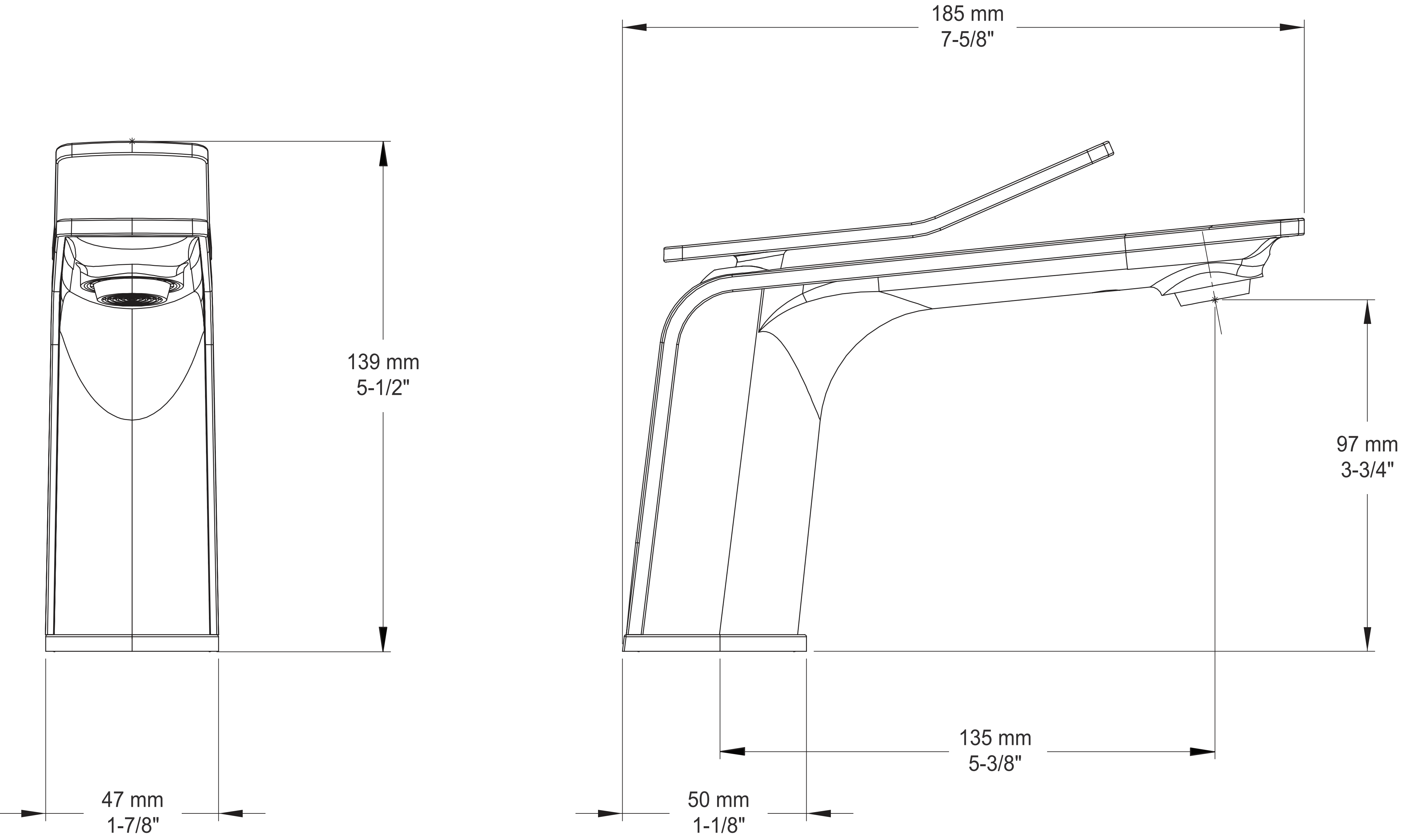
## Dimensions:

Model: B56-1010-1PL-xx

Faucet height: 5-1/2"

Aerator clearance: 3-3/4"

Spout reach: 5-3/8"



# Push-Button Drain

With its large cap, the BARiL push-button drain looks more elegant than regular drains. It is also quicker and easier to install since there are no unsightly rods to adjust.

# BARiL

STYLE × FUNCTION

## Impeccable design

The large cap covers the whole drain, giving it a high-end look.

## Overflow

The included drain is one with overflow (po plug). For a drain without overflow (co plug), order B56-1010-00L-xx and REN-8403-02-xx or REN-8423-02-xx separately.

## Robust tightening nut

Very sturdy installation thanks to a long and easy to tighten brass nut.

## Specifications:

Model: REN-8422-02-xx

Diameter of the cap: 2-5/8"

Drain hole size: 1-3/4"

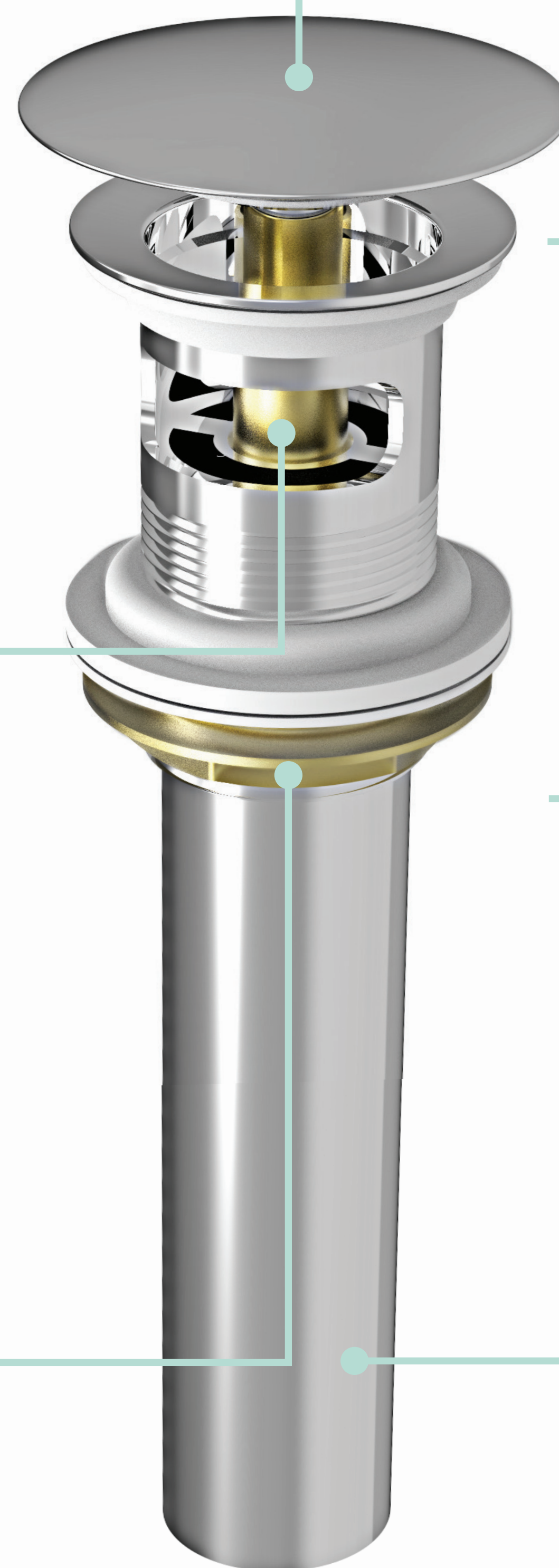
Rubber gaskets: Included

## Adaptable length

The length between the metal ring and the end of the threaded pipe is 3-1/8" (80 mm), making it a fit for every sinks.

## High quality material

BARiL drains last longer because they are made of solid brass thicker than average.

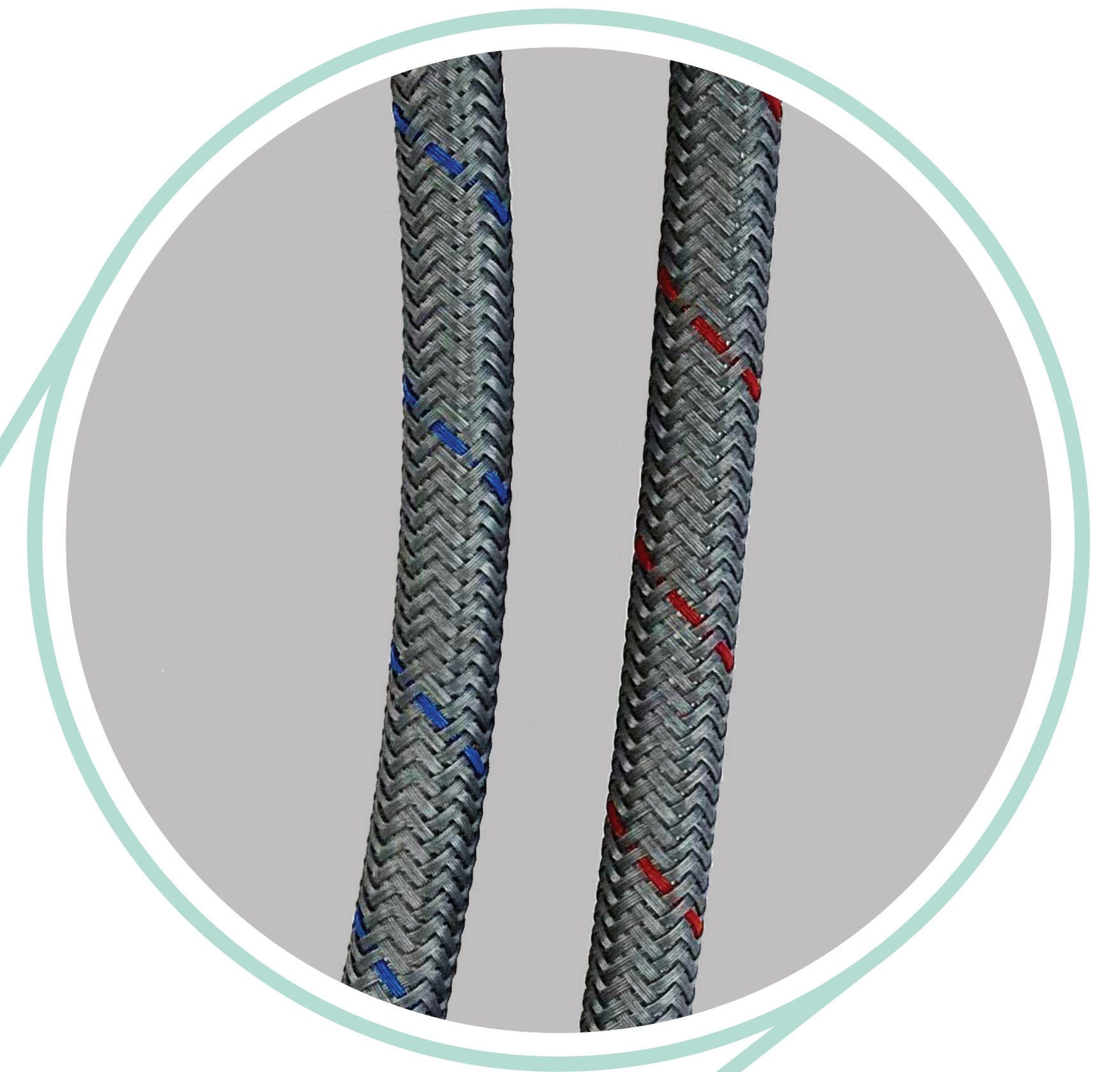
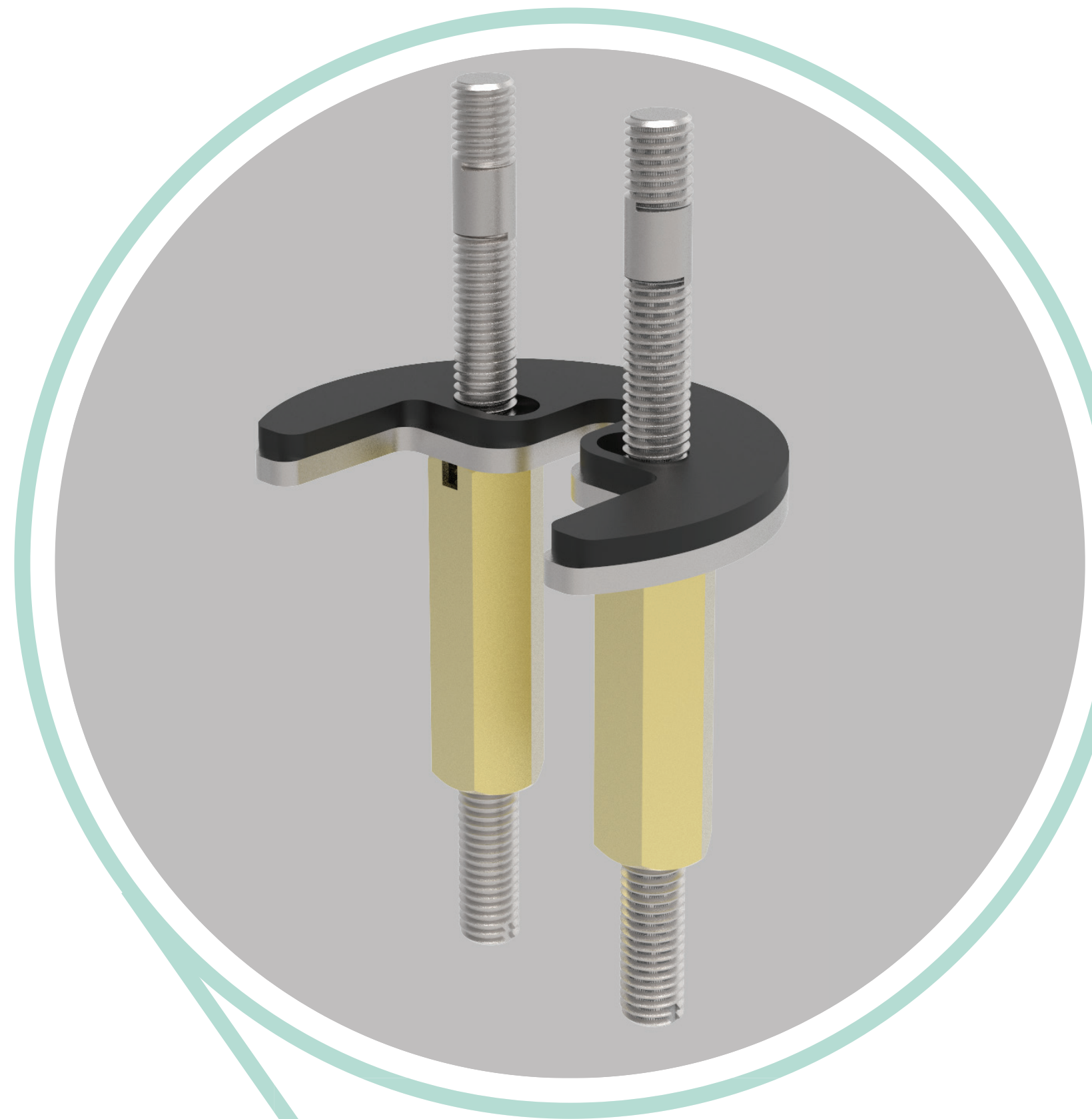


# Easy installation —

Very sturdy installation using two threaded rods and a special tightening tool included in the box; easy to tighten, even with minimal space behind the lavatory.

# BARiL

STYLE × FUNCTION



## Softpex Supply Lines

Color coded, corrosion and kink resistant, our supply lines are equipped with swivel connection nuts to facilitate the connection to water inlets and avoid twisting.