

# B46 PROFILE

# BARIL

STYLE X FUNCTION

The PROFILE Collection makes a statement with its release movement. The round and classic body culminates in a slender spout exposing a thin edge surmounted by a perfectly aligned handle, representing the very essence of the product line. All available lavatory faucets are built around a tubular body and offer three versions of controls designed to combine aesthetics and ergonomics. The PROFILE Collection answers the need for a product line combining the contemporary with a touch of innovation consumers have been waiting for.



# B46 PROFILE

**B46-9453-00-xx**

Separate volume control or diverter valve required

# BARIL

STYLE X FUNCTION

## Easy Rough-in Installation

The flat back housing and two anchors molded onto the valve rough-in ensure easy and stable installation.

## European Cartridge

High performance and perfectly calibrated ceramic cartridge with outstanding durability.

## Temperature Limiting

Manually adjustable temperature limiter.

## Outstanding Temperature Stabilization

This French-made cartridge has a temperature variation of less than 2 °C / 3.6 °F, making it one of the valves with the least temperature variation on the market.

## Stylized, Sleek Design

The plateless design of this valve gives it a modern, sleek look. Delicate and elegant, it will blend into any decor.

## Easy Trim Installation

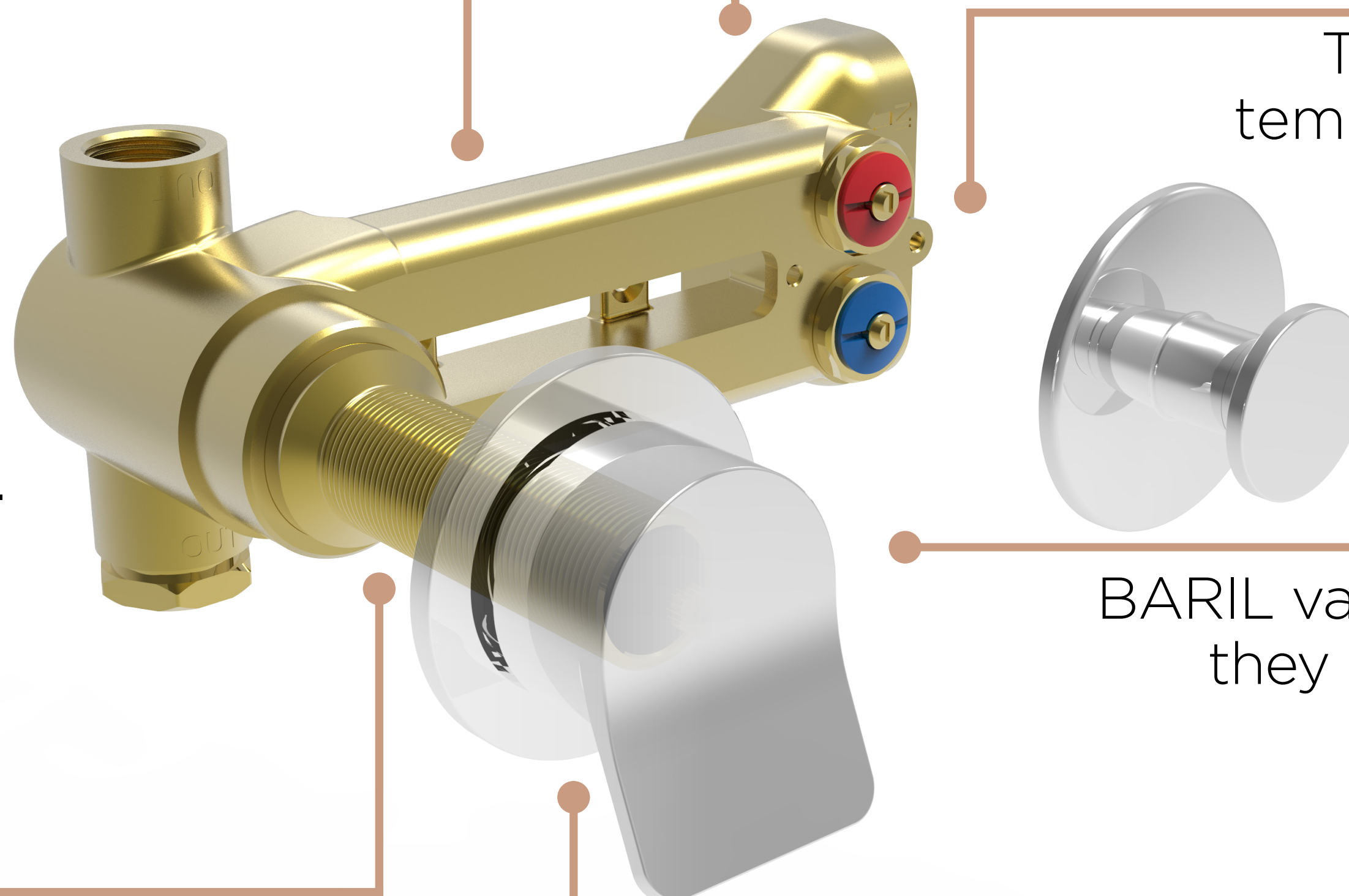
The included installation template makes installation easy and hassle-free.

## High-Quality Material

BARIL valves last longer because they are forged of solid brass thicker than average.

## Flawless Finish

Multiple finishes available to give a personal touch to your faucet. Made with best technologies available.



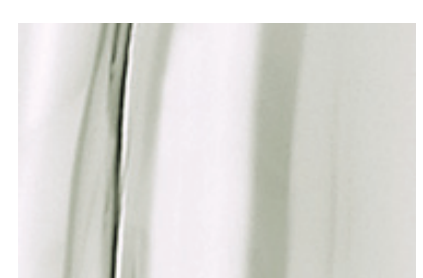
Chrome (CC)



Brushed nickel (NN)



Matte black (KK)



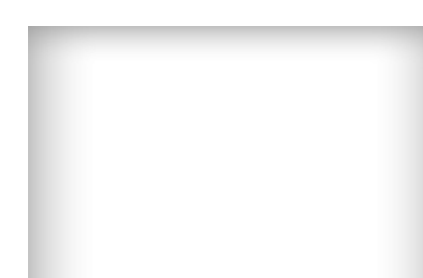
Polished Nickel (YY)



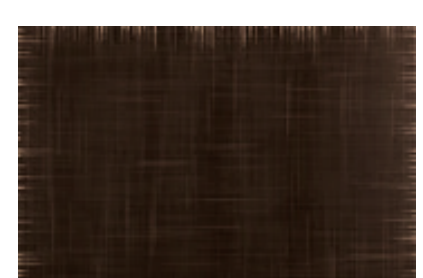
Satin brass (LL)



Satin copper (VV)



White (BB)



Venetian bronze (TT)



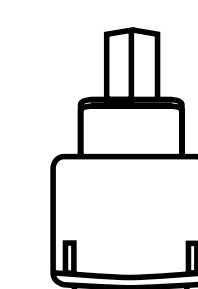
Gold (GG)

LIMITED  
**LIFETIME**  
WARRANTY

BARIL  
equals  
quality

**9.0**  
GPM FLOW RATE

High  
flow  
rate



Durable  
ceramic  
cartridge



# Valve Controls

# BARIL

STYLE X FUNCTION

BARIL valves offer intuitive and ergonomic controls. Connected to high-quality cartridges, they combine ease of use, temperature stability and safety for you and your family.

## Handle

Adjust the temperature as you wish. It will remain the same until the next time you use your bath or shower.

## Safety Feature

A temperature limiter can be adjusted during installation to prevent scalding.

## Separate Volume Control or Diverter Valve Required

Add:

- A volume control valve (B46-9649-00-xx) for one shower accessory.
- A 2-port diverter with stop (B46-9560-02-xx) or two volume control valves for two shower accessories.
- A 3-port diverter with stop (B46-9560-02-xx) or three volume control valves for three shower accessories.

## Convenient Hook

Perfect to hang your towel, loofah or any bath accessory, you can also leave it empty and it will remain very discreet.



# Customizable Installation

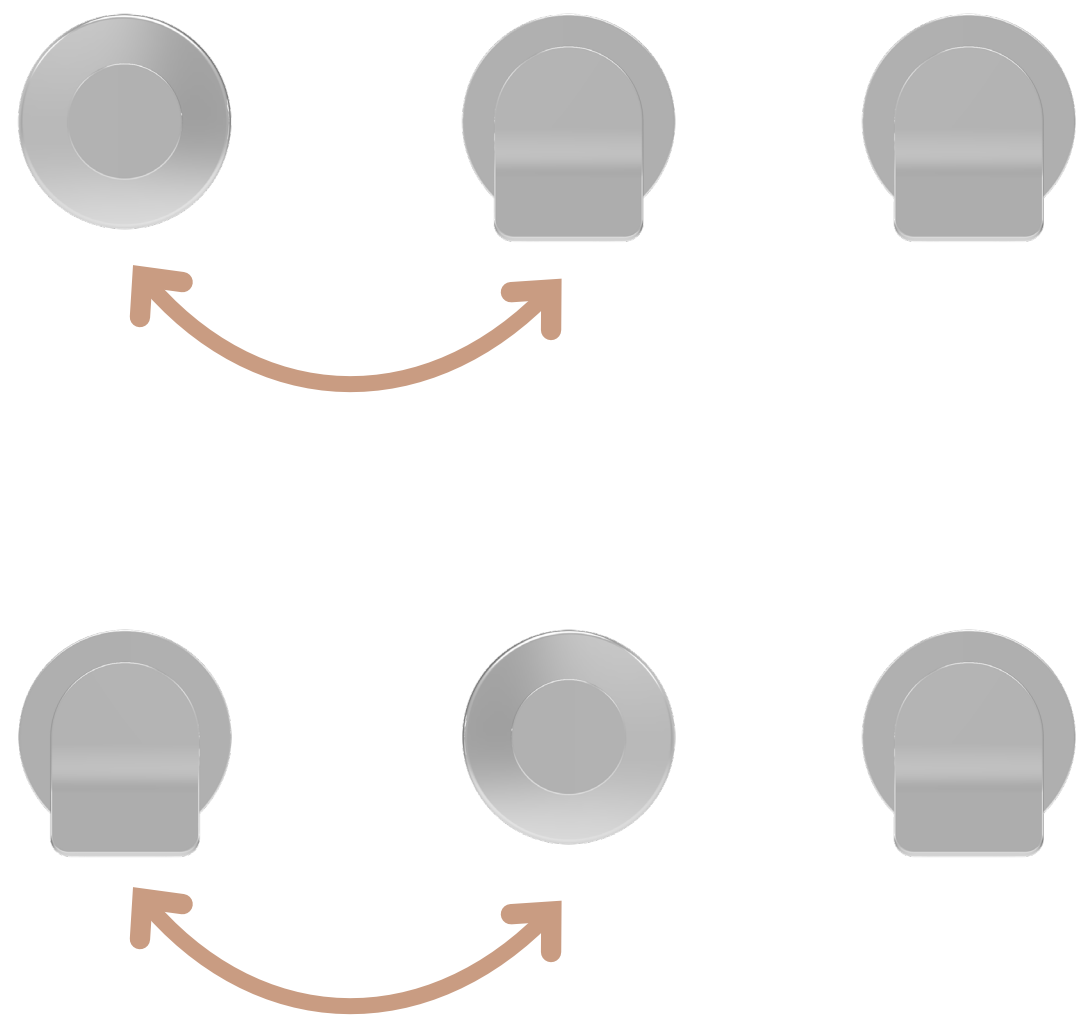
# BARIL

STYLE X FUNCTION

Without a plate, the thermostatic valve allows several installation options with separate shut-off valves or diverters. Horizontal, vertical or L-shaped, choose according to your needs and the style of your bathroom. Whatever you choose, the installation template ensures an easy, hassle-free installation.

## Horizontal Installation

The hook can be installed on the right or the left of the handle.



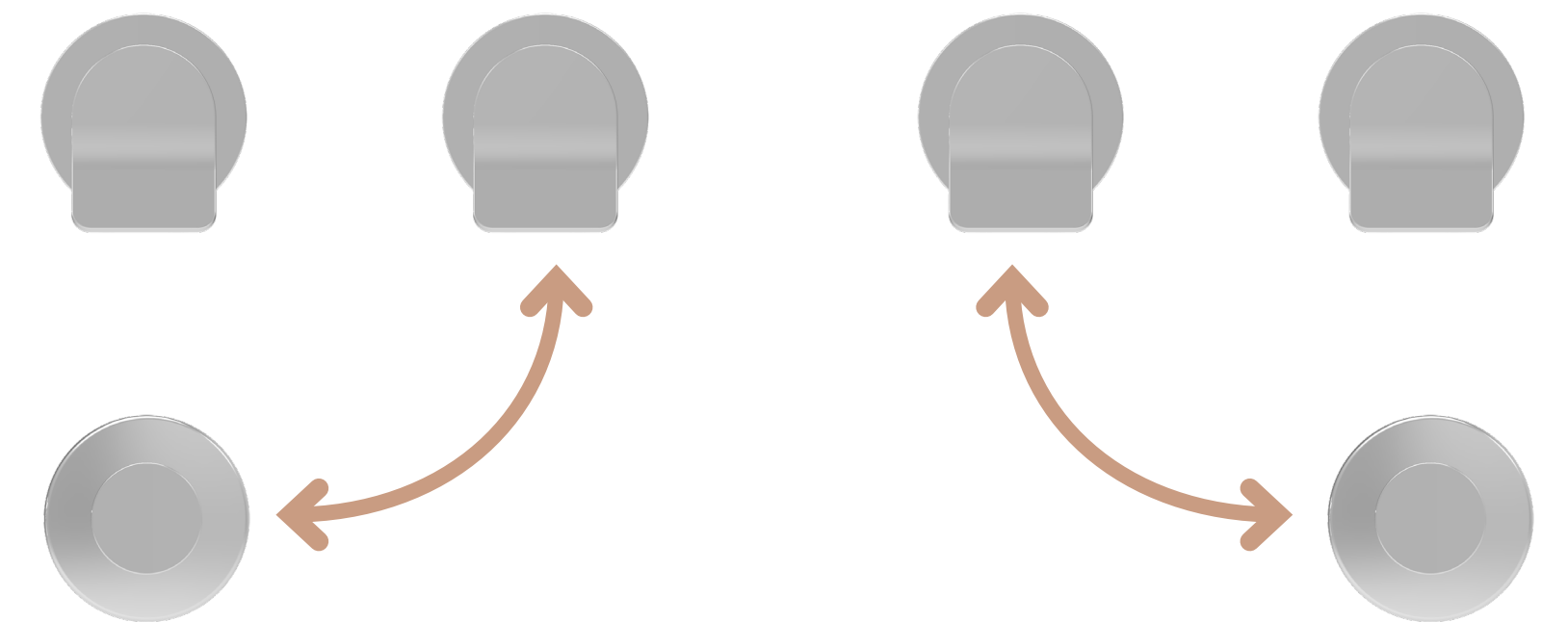
## Vertical Installation

We recommend installing the hook below the handles.



## L-shaped Installation

The hook can be installed on the right, left or below the handle.



## Front Access

The check stops are easily accessible, allowing the water supply to be shut off for cartridge maintenance without shutting off the main water supply.

## Watertight

A foam on the back of the base flanges ensures an optimal watertightness.

## Elegant Look

No visible screws for a sleek look.

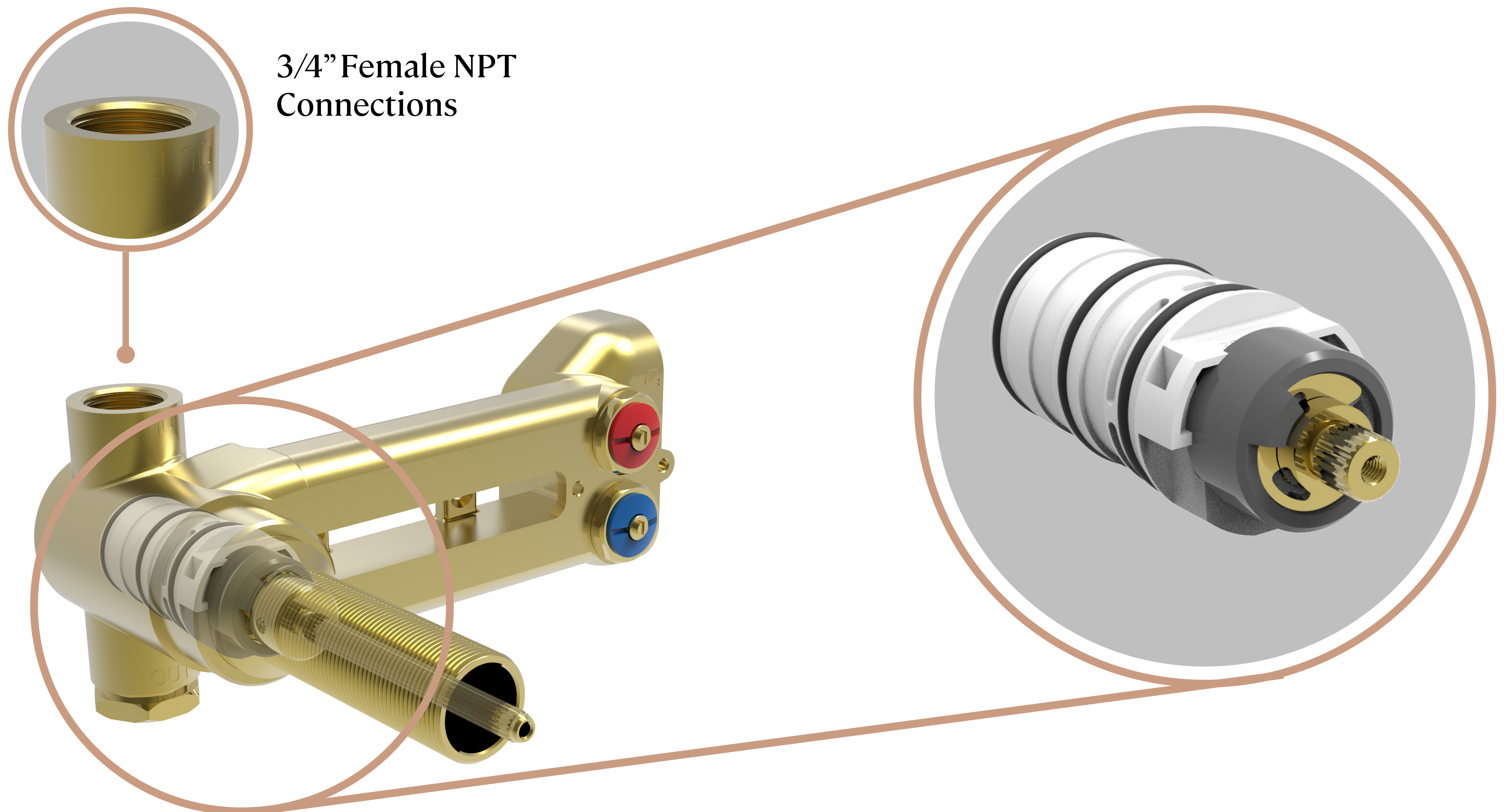


# Temperature Stabilization

# BARIL

STYLE X FUNCTION

The cartridge allows to preset the temperature so that it reacts to the slightest variations. Therefore, the temperature at the water outlet will remain unchanged, regardless of the temperature and pressure variations in your hot and cold water supplies.



## High Quality Materials

Perfectly calibrated, the thermostatic component of this cartridge ensures constant water flow and extremely precise water temperature control. The high-precision machining of its parts allows for a high flow rate, while its plastic casing prevents scale build-up.

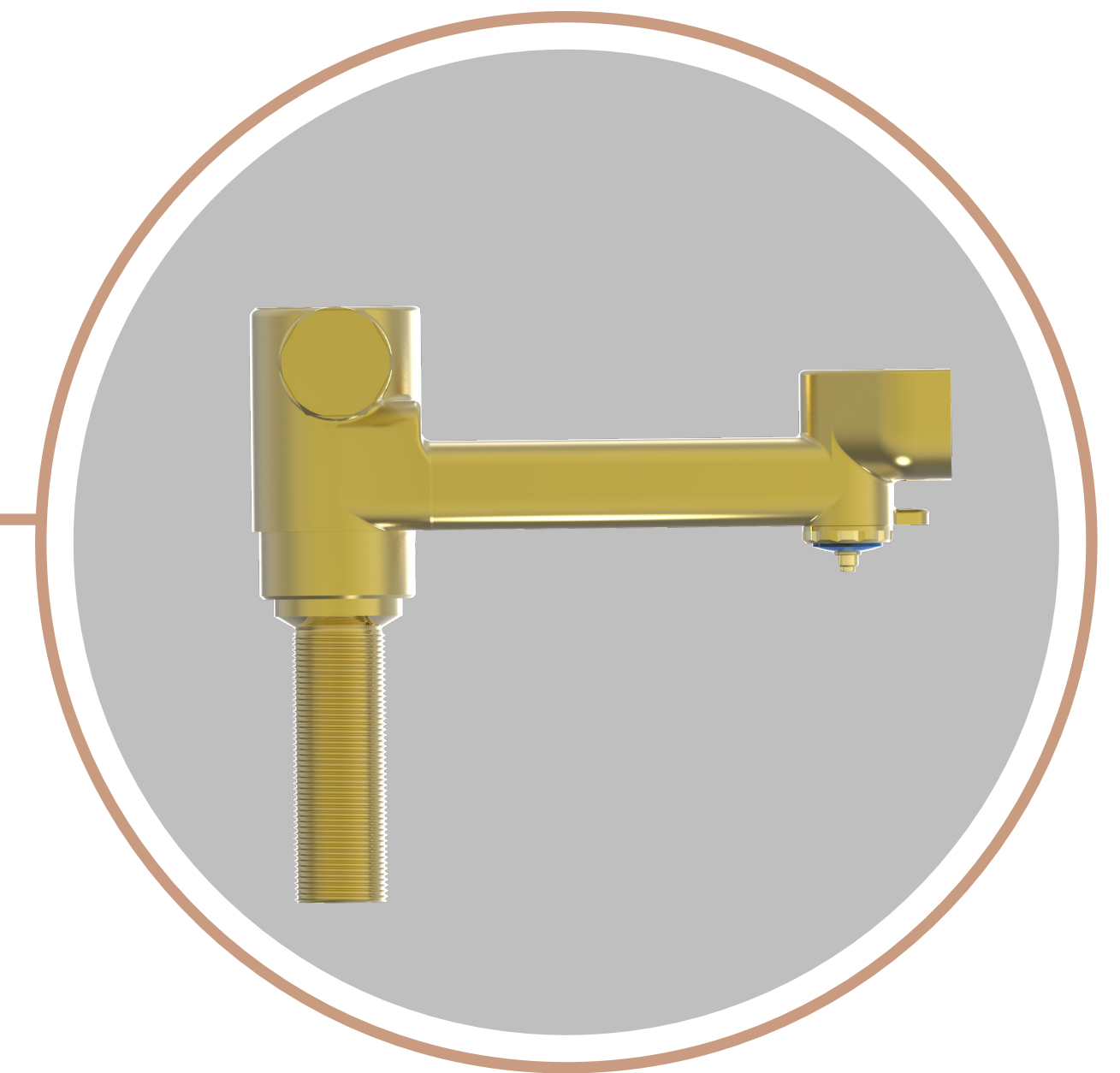
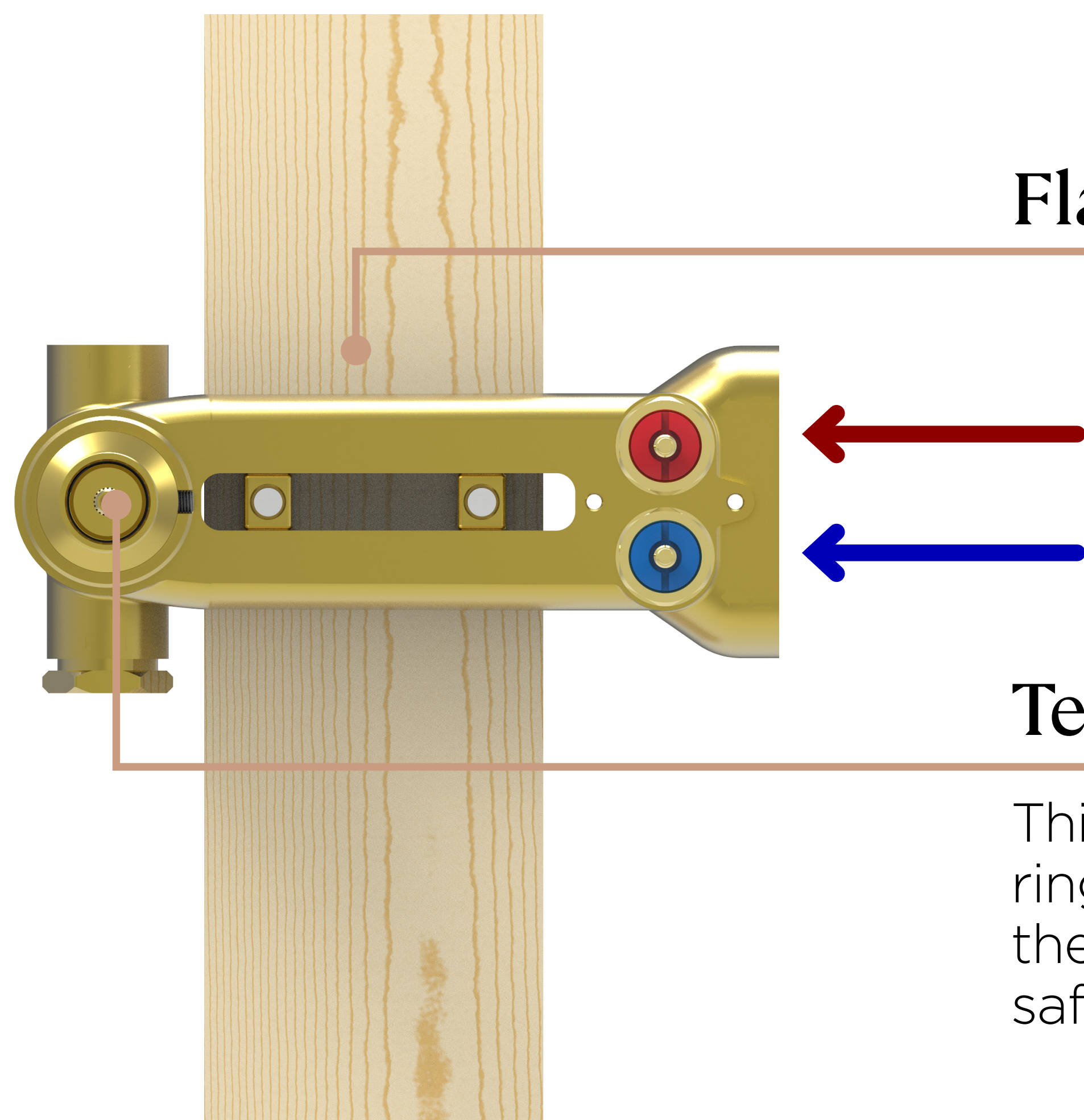


# Easy Rough-in Installation

# BARIL

STYLE X FUNCTION

With the flat back and anchors molded directly onto the valve rough-in, installation is easy and very stable.

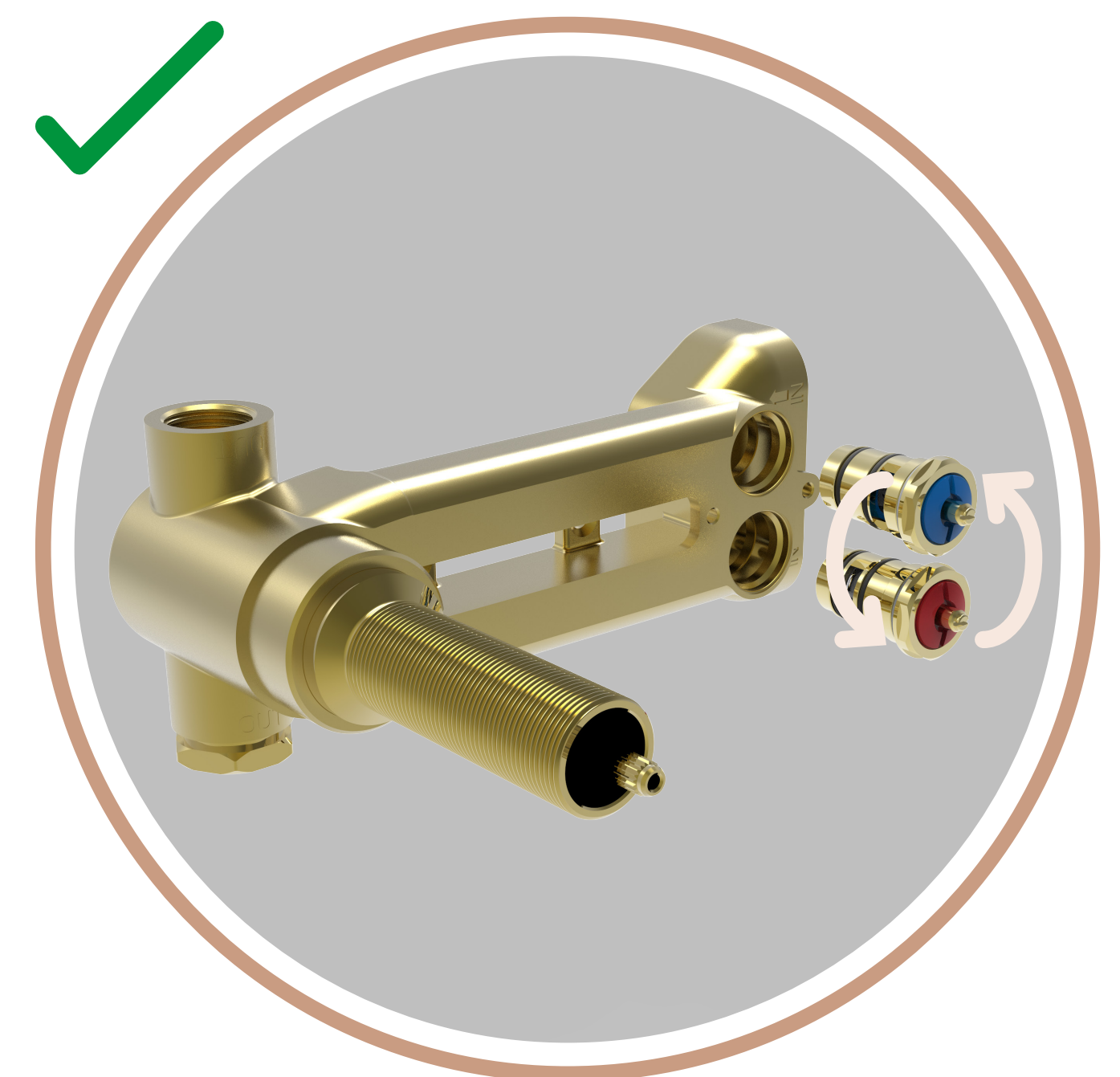
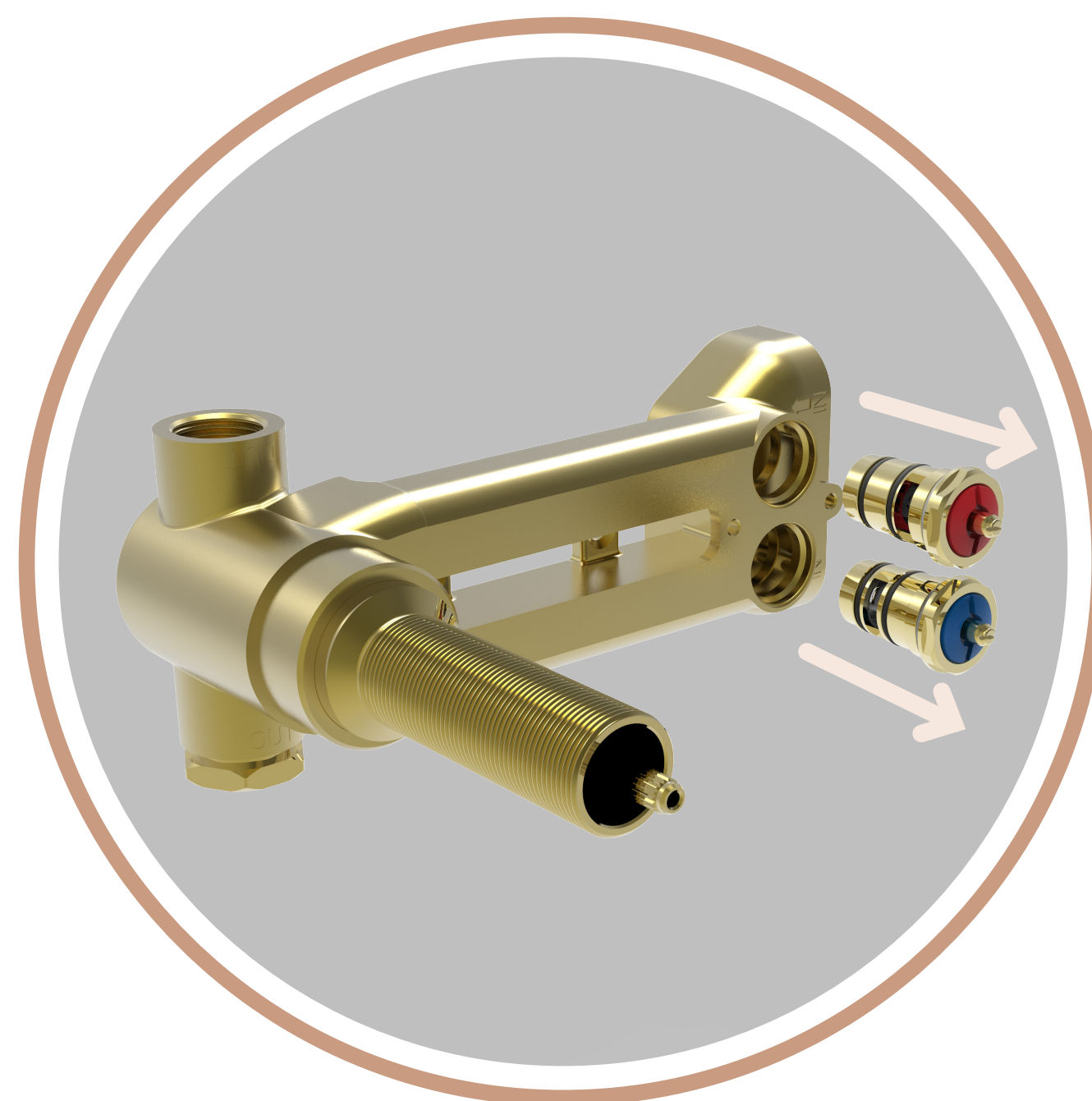
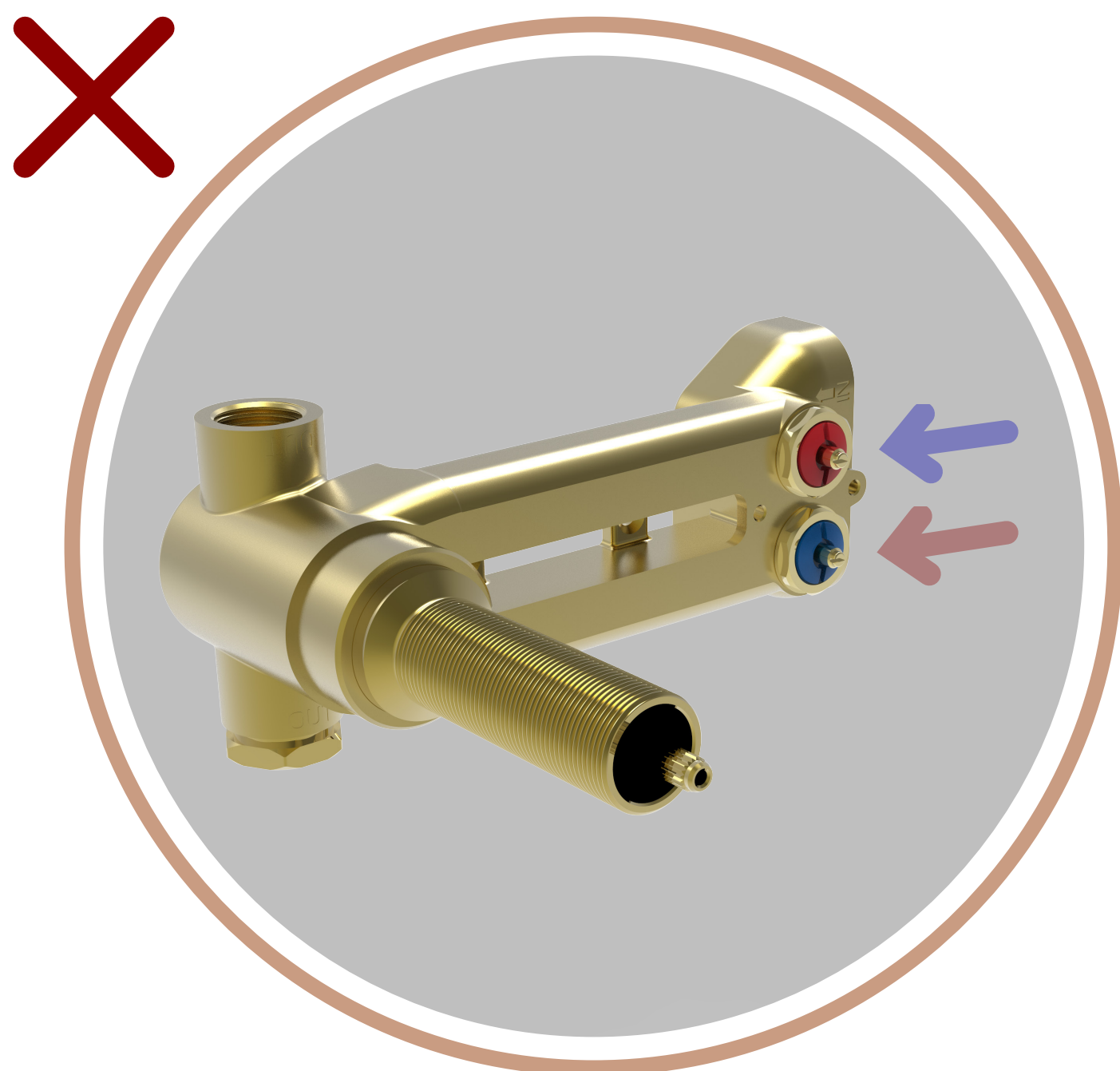


## Temperature Limiting

This T type valve includes an anti-scald temperature limiter ring made of resistant ABS plastic. It is mounted on the thermostatic cartridge and preset at 49°C/120°F for your safety. You can always adjust it if necessary.

## Reversible Check Stops

In case of hot and cold water supply reversal, the valve will not supply lukewarm water, only hot or cold water. To remedy this situation, simply switch the position of the check valves.



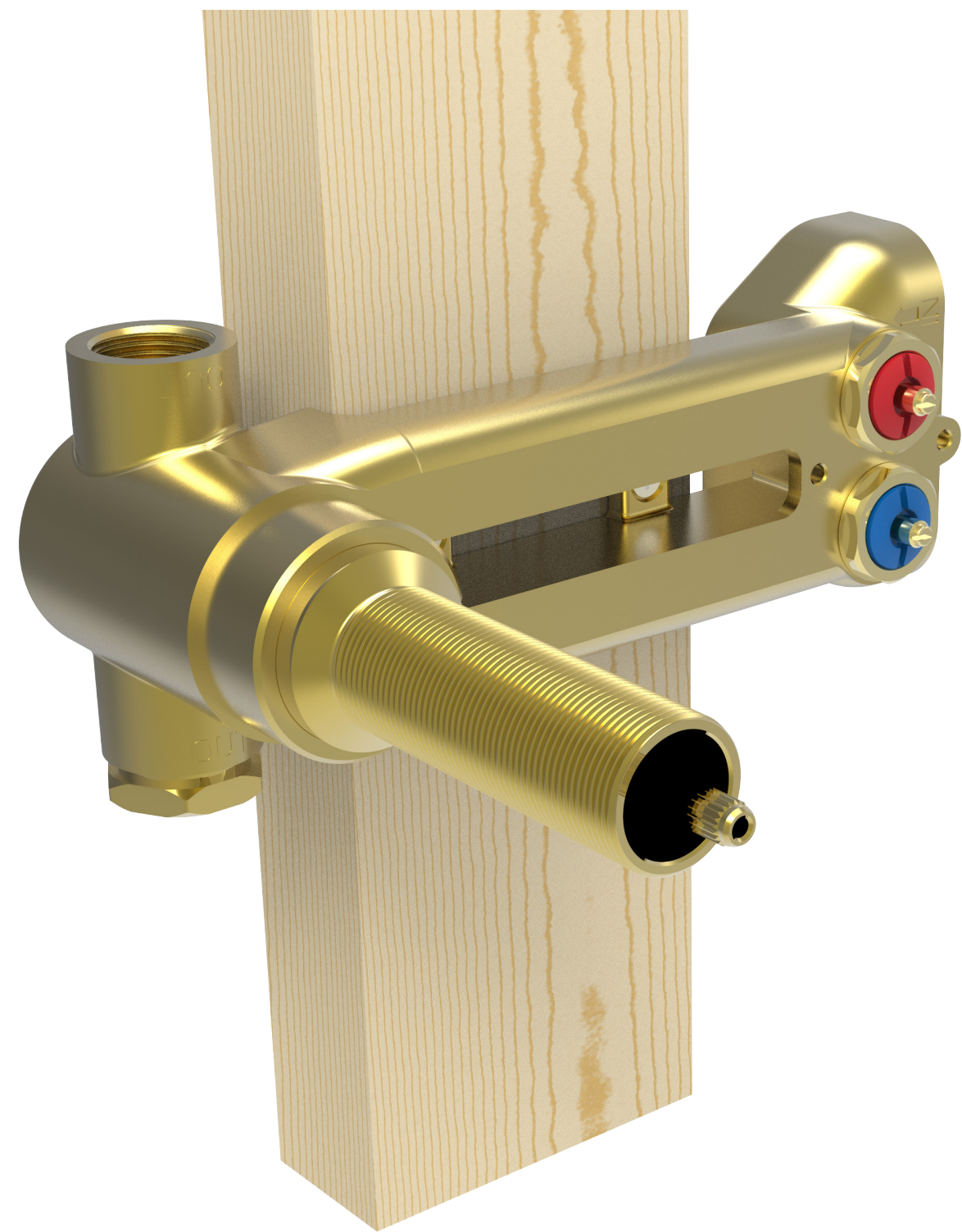


# Easy Trim Installation

# BARIL

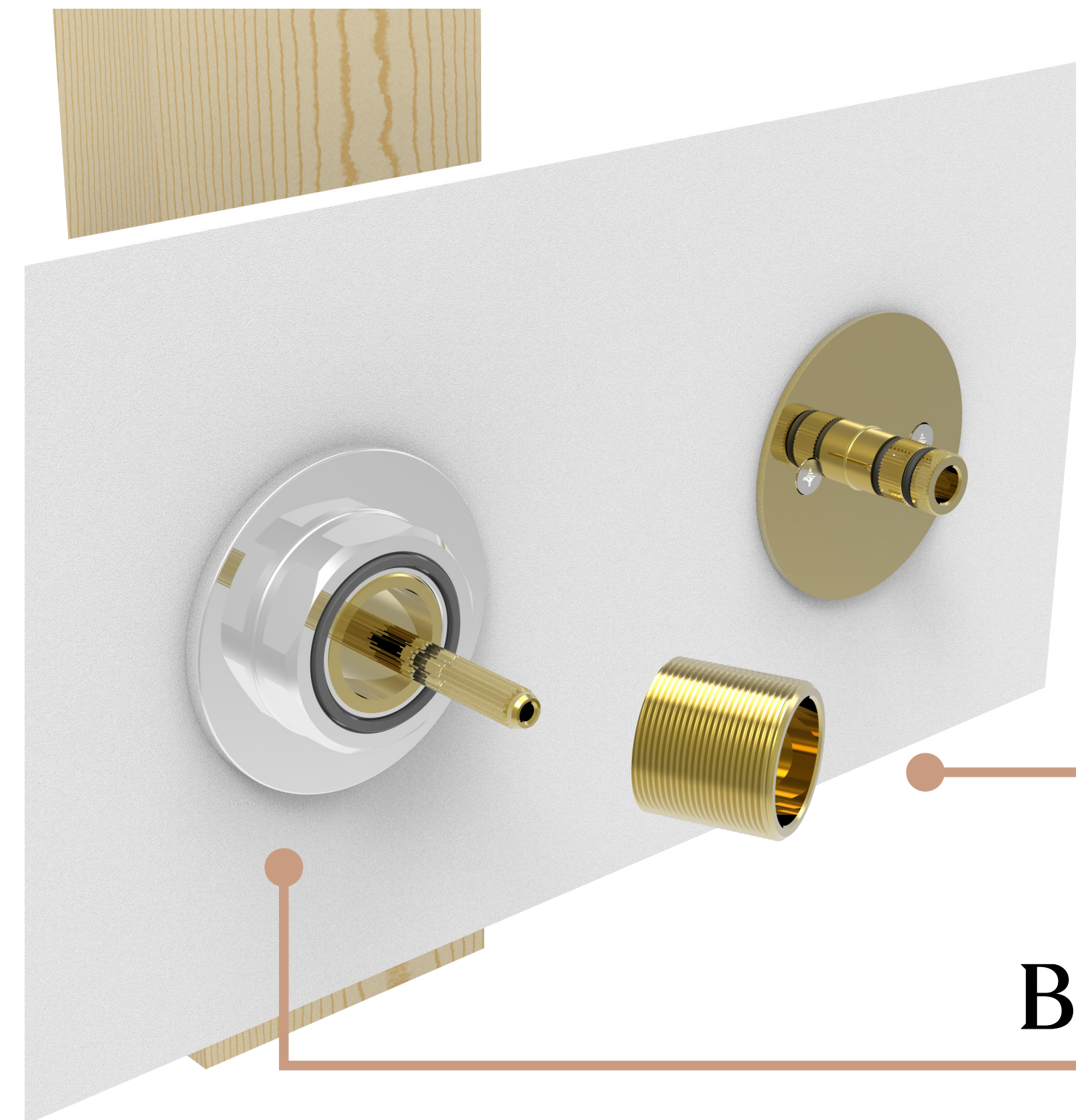
STYLE X FUNCTION

BARIL trims are solid and easy to install. The one-inch depth adjustment and the drilling template make the job easier so the installation is done quickly and flawlessly.



## Front Access

The check stops are easily accessible, allowing the water supply to be shut off for cartridge maintenance without shutting off the main water supply.



## Depth Adjustability

## Brass Trim Plate

## Depth Adjustability

The brass fittings have to be cut to length.



## Watertight

A foam on the back of the plate ensures an optimal watertightness.

## Elegant Look

No visible screws for a sleek look.

