

B46 PROFILE —

BARiL

STYLE × FUNCTION

The PROFILE Collection makes a statement with its release movement. The round and classic body culminates in a slender spout exposing a thin edge surmounted by a perfectly aligned handle, representing the very essence of the product line. All available lavatory faucets are built around a tubular body and offer three versions of controls designed to combine aesthetics and ergonomics. The PROFILE Collection answers the need for a product line combining the contemporary with a touch of innovation consumers have been waiting for.



B46 PROFILE

B46-1030-1PL-xx

Single hole lavatory faucet,
drain included

BARiL

STYLE × FUNCTION

Flawless finish

Multiple finishes available to give a personal touch to your faucet. Made with best technologies available

Adjustable aerator

Allows adjustments in the water stream's direction by the touch of a finger

Easy installation

Very sturdy installation using 2 threaded rods with a special tightening tool included in the box

Refined design

Beautiful angle of the spout; sharp edges and lines allowing a subtle and contemporary design, however soft thanks to its round body

Streamlined look

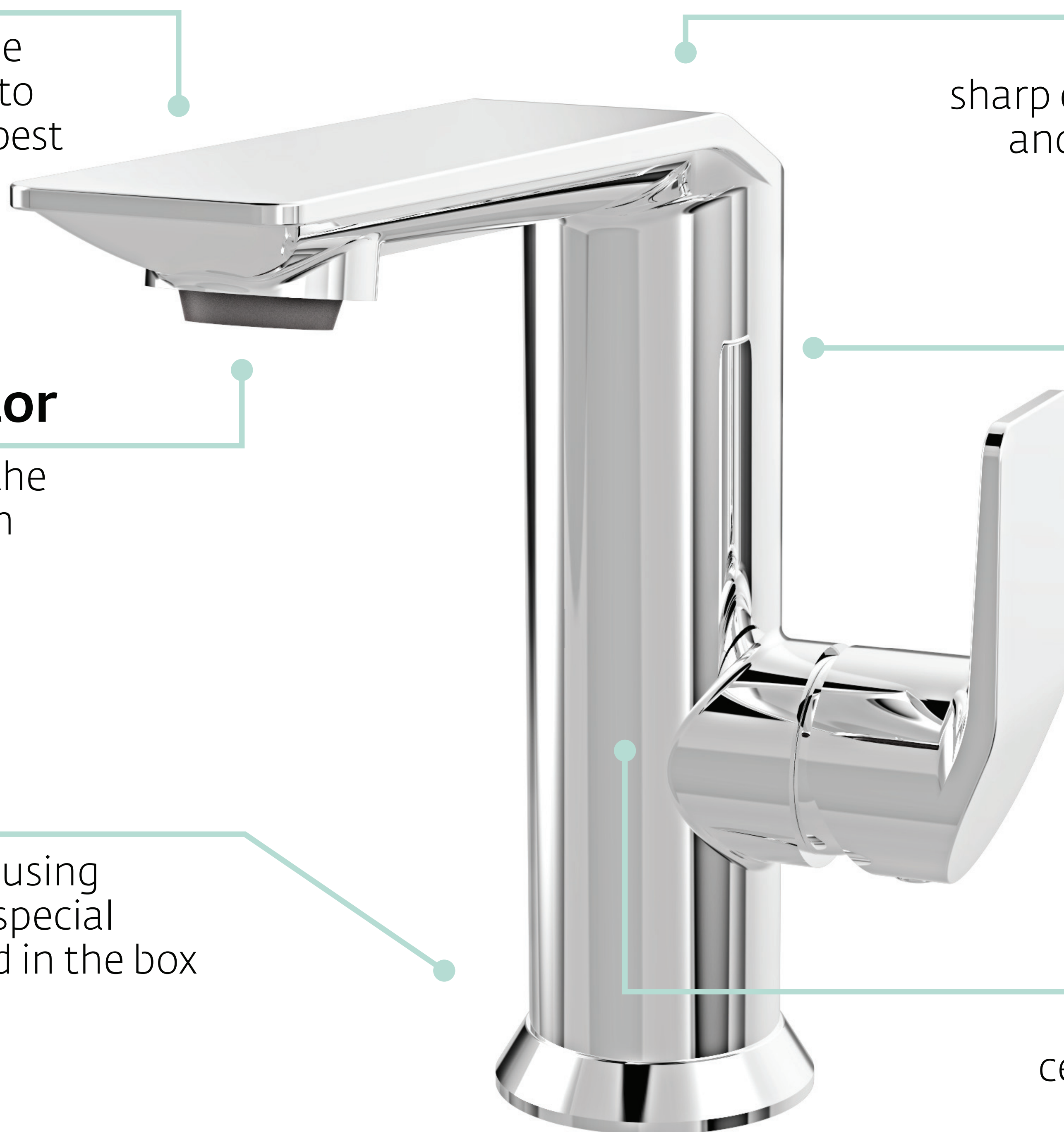
BARiL uses push-button drains, therefore eliminating the need for an unsightly rod

High quality material

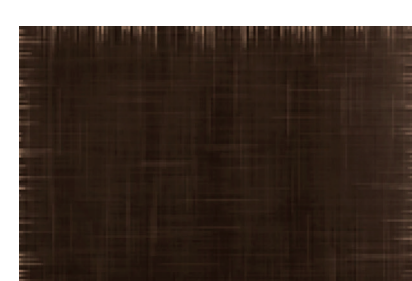
BARiL faucets last longer because they are forged of solid brass thicker than average

European cartridge

Made with high performance ceramic, this cartridge is amongst the most durable on the market



Chrome (CC)



Venetian Bronze (TT)



Matte Black (KK)



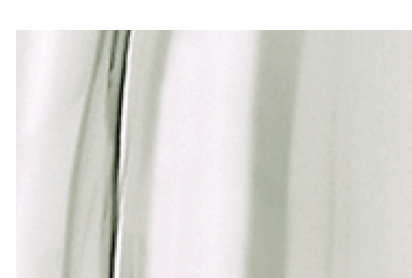
Satin Brass (LL)



Brushed Nickel (NN)



Satin Copper (VV)



Polished Nickel (YY)



Gold (GG)

LIMITED
LIFETIME
WARRANTY

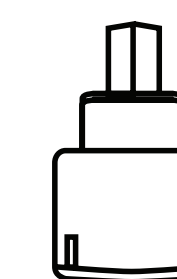
BARiL equals quality

1.5
GPM FLOW RATE

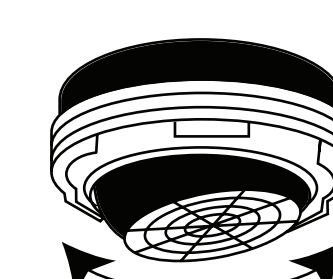
Uses 30% less water



Ecological options available



Durable ceramic cartridge



Ensures the perfect stream

BARiL's finishes —

BARiL

STYLE × FUNCTION

Because we are convinced that you want access to the very best options, BARiL offers a large variety of finishes for all of its collections. Shipping delays vary between 48 hours and 4 weeks, depending on the finish. Take advantage of the wide array of colors and have fun imagining all the possibilities.



Chrome (CC)



**Matte
Black (KK)**



**Brushed
Nickel (NN)**



**Polished
Nickel (YY)**



**Venetian
Bronze (TT)**



**Satin
Brass (LL)**



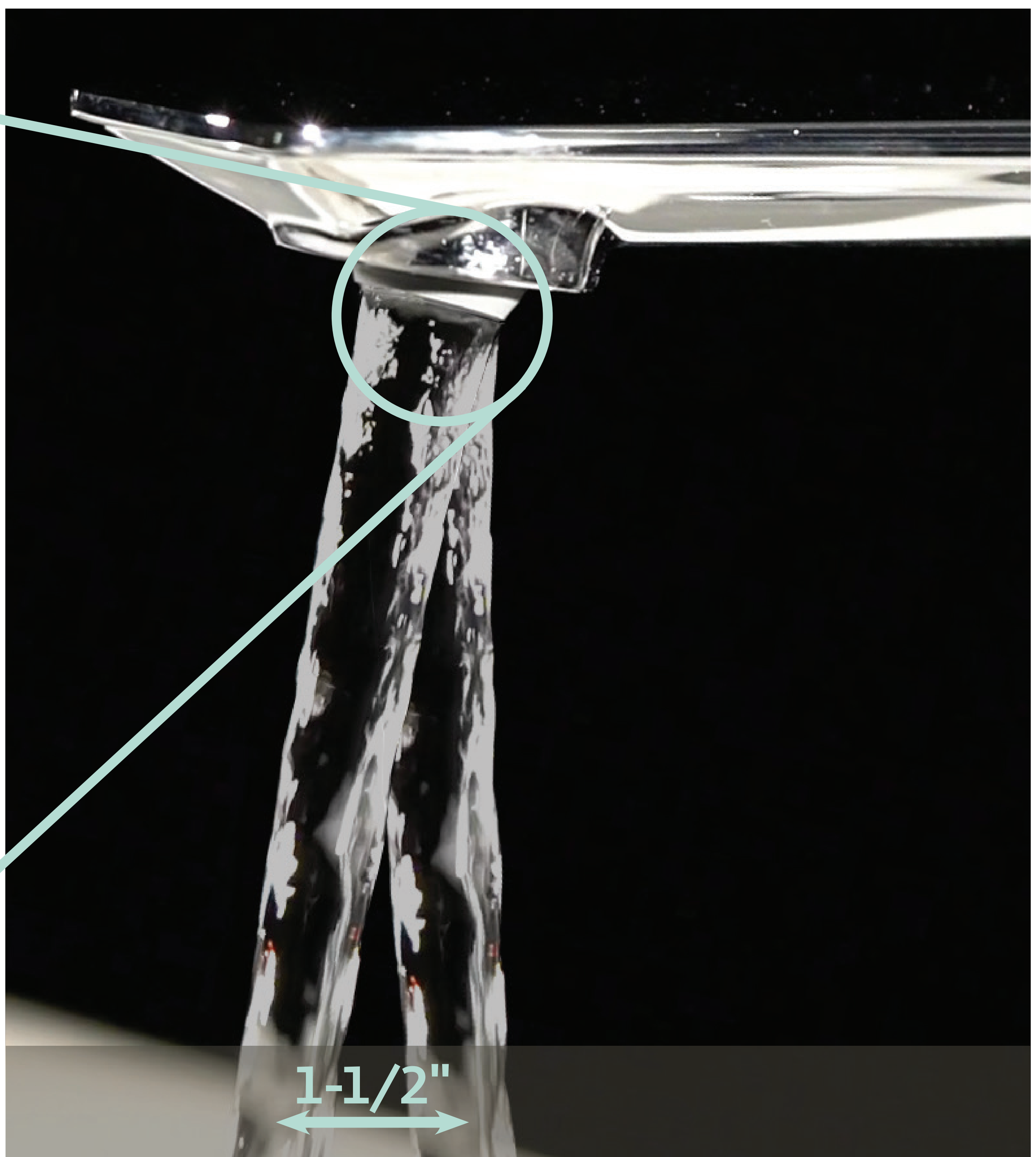
**Satin
Copper (VV)**



Gold (GG)

Adjustable Aerator

Our easy-to-clean German-made swivel aerator lets you direct the flow where you want it. Simply rub this soft silicon aerator with your finger to clean it, and continue to enjoy its perfect crystal-clear stream. No more splashing!



Ecological Options

BARiL is supporting the environment by offering options to reduce the water flow thereby economising your water usage

B46-1030-1PL-xx	B46-1030-1PL-xx-120	B46-1030-1PL-xx-100	B46-1030-1PL-xx-050
1.5 gpm - 60 psi 5,7 l/min - 60 psi	1.2 gpm - 60 psi 4,5 l/min - 60 psi	1.0 gpm - 60 psi 3,7 l/min - 60 psi	0.5 gpm - 60 psi 1,9 l/min - 60 psi

Attention to Detail

BARiL faucets are designed with both style and function in mind. The perfect alignment of moving parts like the handle versus the body, is only one example of our dual design thinking.

BARiL

STYLE × FUNCTION

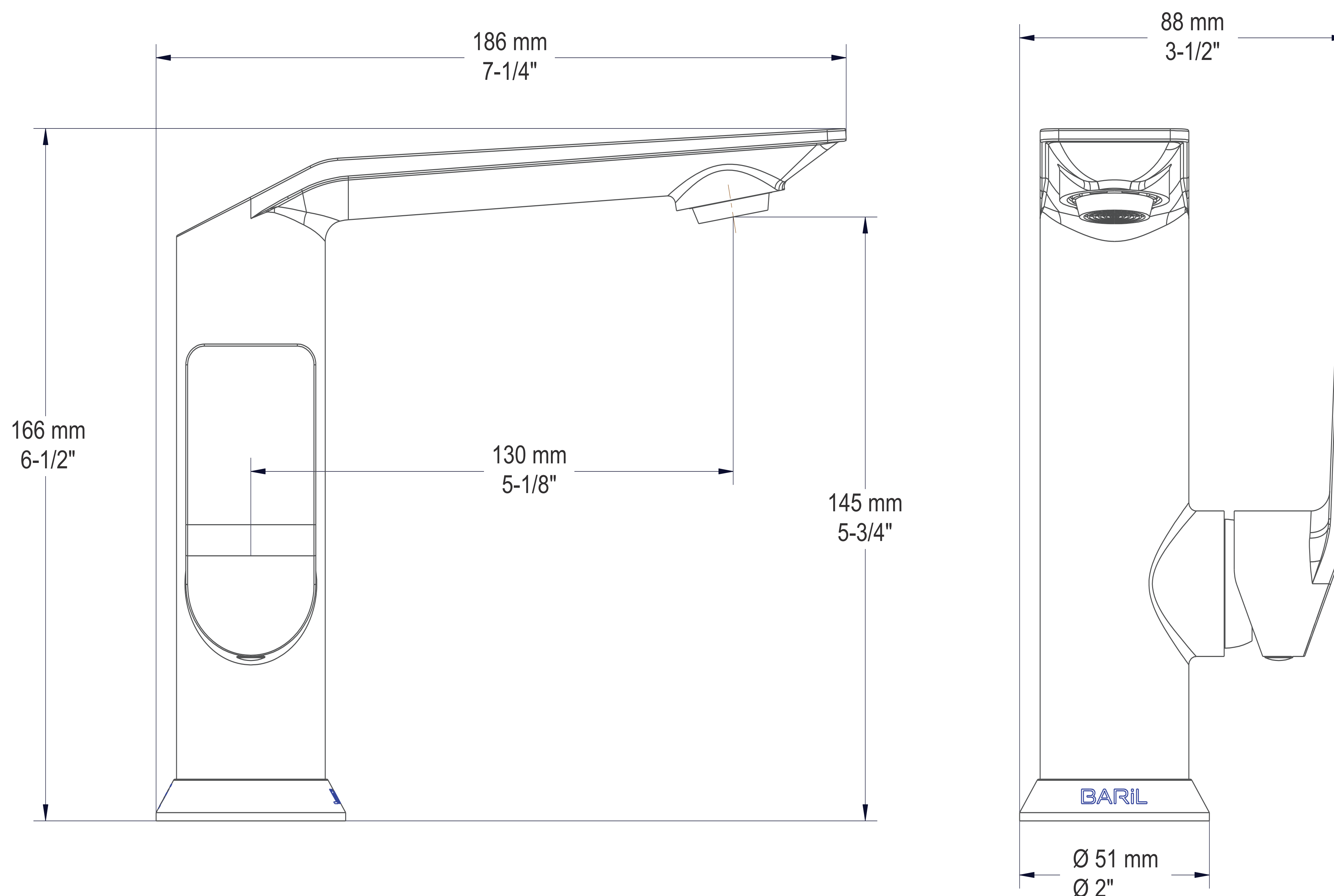
Dimensions:

Model: B46-1030-1PL-xx

Faucet height: 6-1/2"

Aerator clearance: 5-3/4"

Spout reach: 5-1/8"



Push-Button Drain

BARiL

STYLE × FUNCTION

With its large cap, the BARiL push-button drain looks more elegant than regular drains. It is also quicker and easier to install since there are no unsightly rods to adjust.

Impeccable design

The large cap covers the whole drain, giving it a high-end look.

Overflow

The included drain is one with overflow (po plug). For a drain without overflow (co plug), order B46-1030-00L-xx and REN-8403-02-xx or REN-8423-02-xx separately.

Robust tightening nut

Very sturdy installation thanks to a long and easy to tighten brass nut.

Specifications:

Model: REN-8422-02-xx

Diameter of the cap: 2-5/8"

Drain hole size: 1-3/4"

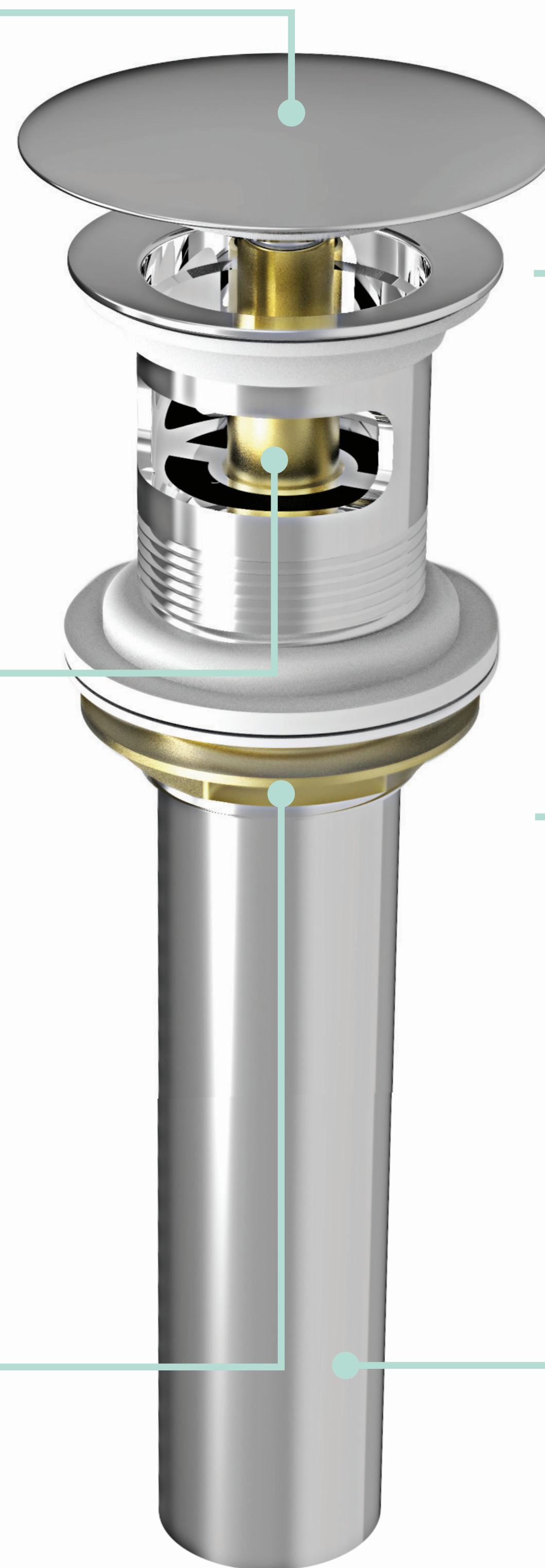
Rubber gaskets: Included

Adaptable length

The length between the metal ring and the end of the threaded pipe is 3-1/8" (80 mm), making it a fit for every sinks.

High quality material

BARiL drains last longer because they are made of solid brass thicker than average.

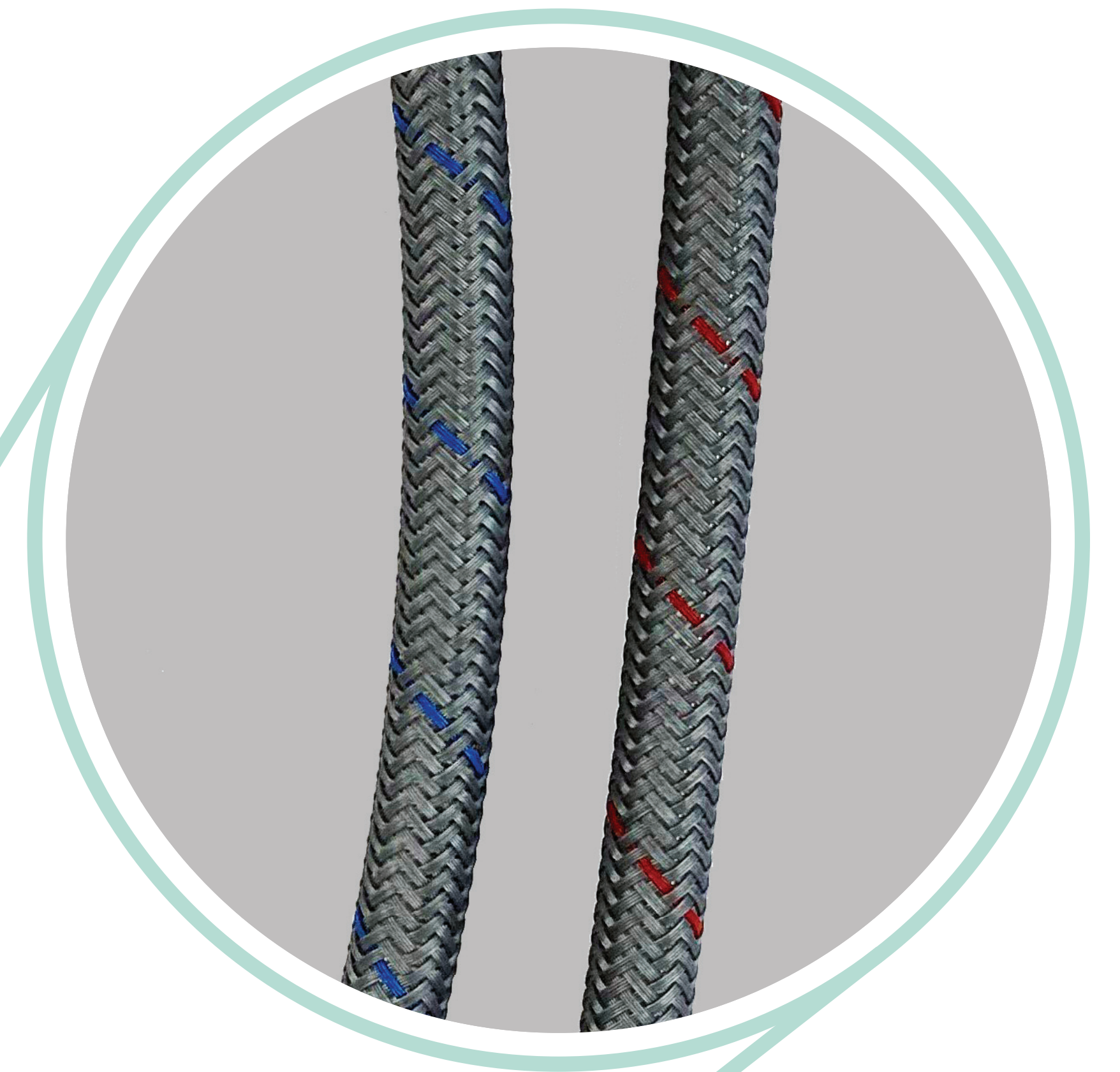
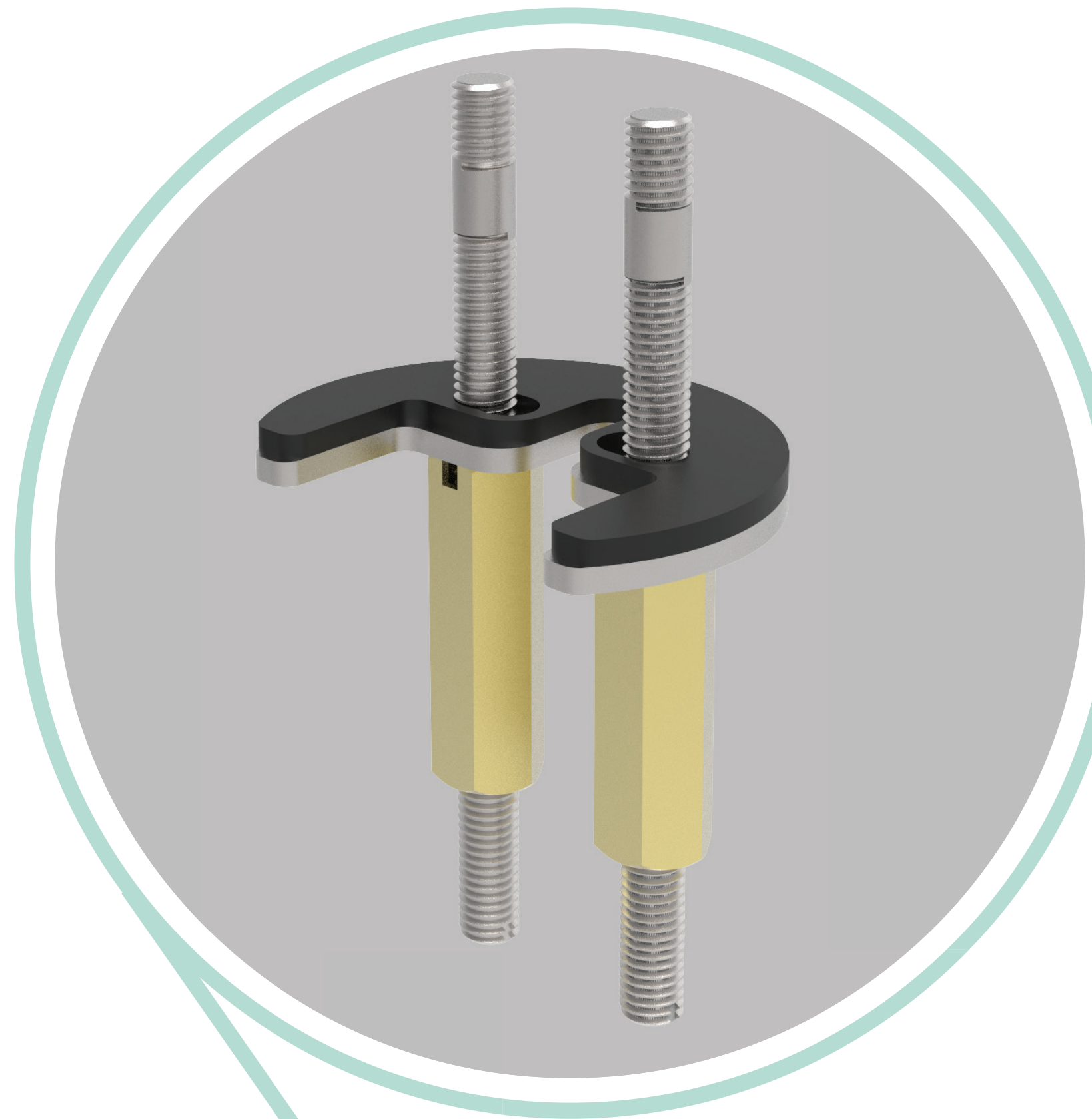


Easy installation —

Very sturdy installation using two threaded rods and a special tightening tool included in the box; easy to tighten, even with minimal space behind the lavatory.

BARiL

STYLE × FUNCTION



Softpex Supply Lines

Color coded, corrosion and kink resistant, our supply lines are equipped with swivel connection nuts to facilitate the connection to water inlets and avoid twisting.